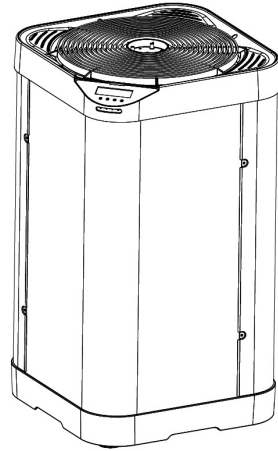




ZODIAC®

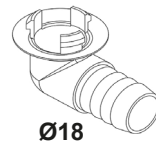
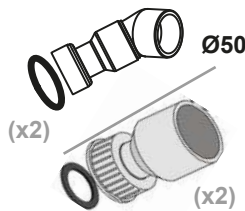
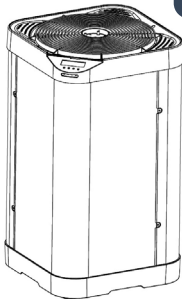
Z350iQ

- EN** Quick Start Guide
- FR** * Guide de Démarrage Rapide
- DE** Kurz- oder Schnellstartanleitung
- ES** Guia de Inicio Rápido
- IT** Guida Rapida
- PT** Guia de Inicio Rápido
- NL** Snelle startersgids



* Original instructions
Instructions d'origine
Original anleitung
Instrucciones originales
Istruzioni originali
Instruções originais
Originele instructies

iAquaLink™



According to product marking
Selon le marquage sur le produit
Gemäß der Kennzeichnung auf dem Produkt
Según el marcado en el producto

Secondo la marcatura sul prodotto
De acordo com a marcação no produto
Afhankelijk van de marking op het product

H0791700_REVA



WARNINGS



This manual contains only basic information on the safety measures to be adopted during installation, maintenance and start-up. The complete manual can be read and downloaded as a PDF file from the website: www.zodiac.com. All assembly, electrical installation and maintenance work must be carried out by qualified, authorized personnel who have read this manual carefully and completely. We reserve the right to totally or partially change our products' features or the content of this document without prior warning.



GENERAL WARNINGS

- The appliance is intended to be used for pools and spas for a specific purpose; it must not be used for any purpose other than that for which it was designed.
- Failure to respect the warnings may cause serious damage to the pool equipment or cause serious injury, even death.
- This appliance is not intended for use by persons (including children) with reduced physical, sensory or mental capabilities, or lack of experience and knowledge, unless they have been given supervision or instruction concerning use of the appliance by a person responsible for their safety. Children should be supervised to ensure that they do not play with the appliance.
- This appliance can be used by children aged from 8 years and above and persons with reduced physical, sensory or mental capabilities or lack of experience and knowledge if they have been given supervision or instruction concerning use of the appliance in a safe way and understand the hazards involved. Children shall not play with the appliance. Cleaning and user maintenance shall not be made by children without supervision.
- The appliance must be installed according to the manufacturer's instructions and in compliance with local and national regulations.
- Our products may only be assembled and installed in pools compliant with standards IEC/HD 60364-7-702 and required national rules. The installation should follow standard IEC/HD 60364-7-702 and required national rules for swimming pools. Consult your local dealer for more information.

WARNINGS ASSOCIATED WITH ELECTRICAL APPLIANCES

- The power supply to the appliance must be protected by a dedicated 30mA Residual Current Device (RCD), complying with the standards and regulations in force in the country in which it is installed.
- The equipment not include electrical switch for disconnection; include a disconnection supply device in the fixing wiring at least OVC III, in accordance applicable national laws.
- If the power supply cord is damaged, it must be replaced by the manufacturer, an authorized representative or a repair facility only.

WARNINGS CONCERNING APPLIANCES CONTAINING R32 REFRIGERANT



- This device contains R32 refrigerant, a class A2L refrigerant, which is considered to be potentially flammable.
- Do not discharge R32 fluid into the atmosphere. This is a fluorinated greenhouse gas, covered by the Kyoto Protocol, with a Global Warming Potential (GWP) = 675 (European regulation EU 517/2014).
- In order to comply with the applicable standards and regulations in terms of the environment and installation, in particular Decree No. 2015-1790 and/or European regulation EU 517/2014, a leak test must be performed on the cooling circuit when the appliance is first started and at least once a year. This operation must be carried out by a specialist certified to test cooling appliances
- The appliance shall be stored in a room without continuously operating ignition sources (for example: open flames, an operating gas appliance or an operating electric heater).
- For further information consult the safety instructions concerning appliances containing gas R32 in the extended version of the manual, in which the fields area check, work procedure, general work area, check for the presence of refrigerant, check for the presence of a fire extinguisher, no source of ignition, area ventilation, refrigerant equipment check, electrical component check, repair of insulated components, repair of intrinsically components, wiring, detection of flammable refrigerant, removal and discharge, loading procedures and dismantling are specified.

INSTALLATION AND MAINTENANCE

- Only a person qualified in the technical fields concerned (electricity, hydraulics or refrigeration) is authorized to carry out installation, maintenance or repair work on the appliance
- The appliance may not be installed close to combustible materials, or the air duct inlet of an adjacent building.
- When servicing the appliance, the composition and state of the heat transfer fluid must be checked, as well as the absence of any traces of coolant.
- During the appliance's annual sealing test in accordance with applicable legislation, the high and low pressure switches must be checked to ensure that they are securely fastened to the cooling circuit and that they cut off the electrical circuit when tripped.
- During maintenance work, ensure there are no traces of corrosion or oil around the cooling components.
- Before beginning work on the cooling circuit, stop the appliance and wait for a few minutes before fitting the temperature and pressure sensors. Some elements such as the compressor and piping may reach temperatures in excess of 100°C and high pressures with the consequent risk of severe burns.



WARNINGS

REFRIGERANT SPECIFICATIONS

Area check

- This device contains R32 refrigerant, a class A2L refrigerant, which is considered to be potentially flammable.
- Do not discharge R32 fluid into the atmosphere. This is a fluorinated greenhouse gas, covered by the Kyoto Protocol, with a Global Warming Potential (GWP) = 675 (European regulation EU 517/2014).
- In order to comply with the applicable standards and regulations in terms of the environment and installation, in particular Decree No. 2015-1790 and/or European regulation EU 517/2014, a leak test must be performed on the cooling circuit when the appliance is first started and at least once a year. This operation must be carried out by a specialist certified to test cooling appliances
- The appliance shall be stored in a room without continuously operating ignition sources (for example: open flames, an operating gas appliance or an operating electric heater).
- For further information consult the safety instructions concerning appliances containing gas R32 in the extended version of the manual, in which the fields area check, work procedure, general work area, check for the presence of refrigerant, check for the presence of a fire extinguisher, no source of ignition, area ventilation, refrigerant equipment check, electrical component check, repair of insulated components, repair of intrinsically components, wiring, detection of flammable refrigerant, removal and discharge, loading procedures and dismantling are specified.

Work procedure

- Work shall be undertaken under a controlled procedure so as to minimize the risk of a flammable gas or vapor being present while the work is being performed.

General work area

- All maintenance staff and others working in the local area shall be instructed on the nature of work being carried out. Work in confined spaces shall be avoided.

Check for the presence of refrigerant

- The area shall be checked with an appropriate refrigerant detector prior to and during work, to ensure the technician is aware of potentially toxic or flammable atmospheres. Ensure that the leak detection equipment being used is suitable for use with all applicable refrigerants, i.e. non-sparking, adequately sealed or intrinsically safe.

Check for the presence of a fire extinguisher

- If any work involving heat is to be conducted on the refrigerating equipment or any associated parts, appropriate fire extinguishing equipment shall be available to hand. Have a dry powder or CO₂ fire extinguisher adjacent to the charging area.

No source of ignition

- No person carrying out work in relation to a refrigerating system which involves exposing any pipe work shall use any sources of ignition in such a manner that it may lead to the risk of fire or explosion. All possible ignition sources, including cigarette smoking, should be kept sufficiently far away from the site of installation, repairing, removing and disposal, during which refrigerant can possibly be released to the surrounding space. Prior to work taking place, the area around the equipment is to be surveyed to make sure that there are no flammable hazards or ignition risks.

“No Smoking” signs shall be displayed.

Area ventilation

- Prior to penetrating the unit in any way to perform any required service, ensure that the area is open and adequately ventilated. Proper ventilation, to allow for safe dispersion of any refrigerant which may be inadvertently released to the atmosphere, should be maintained while service is being performed on the unit.



RECYCLING INFORMATION

- Contact your retailer for recycling information.

PRODUCT INFORMATION FOR PRODUCTS WITH CONNECTIVITY (Under RED Directive)

Declaration of conformity

Hereby, Zodiac declares that the radio equipment type Z350iQ is in compliance with Directive 2014/53/EU. The full text of the EU Declaration of conformity is available at the following address: <https://www.zodiac-poolcare.com/>.

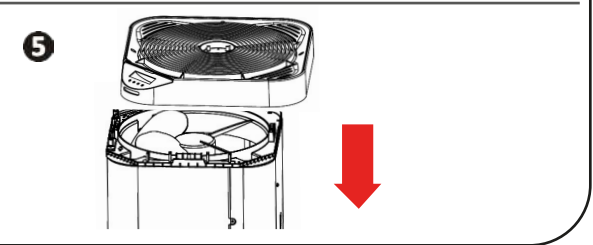
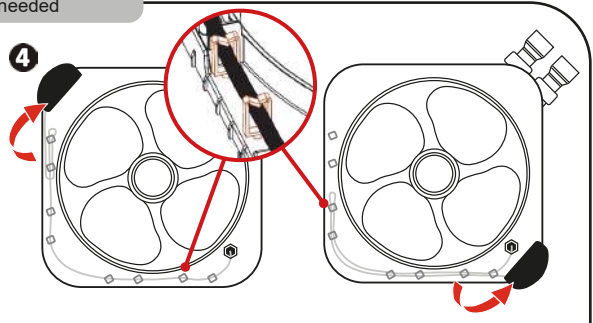
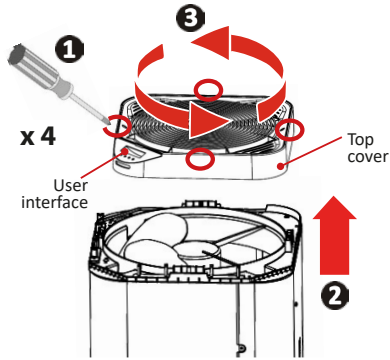
1 Installing the appliance



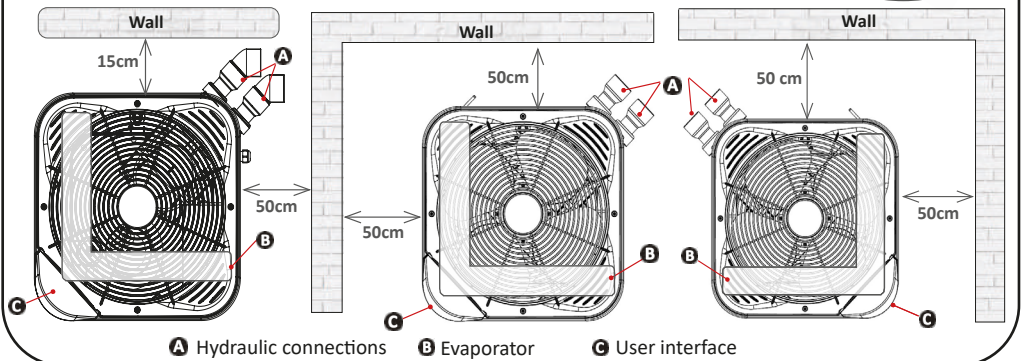
1 Installation

Rotate the top and user interface if needed

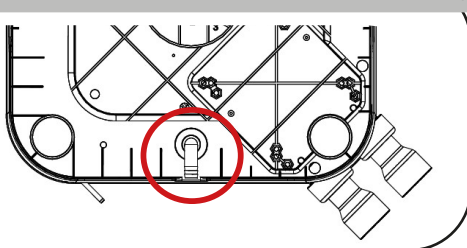
CAUTION : The display board (under the display screen) is connected by a cable to the control board inside the unit. Handle the top cover carefully to do not damage this cable.



Choose the location and the hydraulic connectors that are best fitting the installation configuration



Evacuate the condensates Fit a Ø18 pipe on the grooved elbow to be mounted under the appliance base.



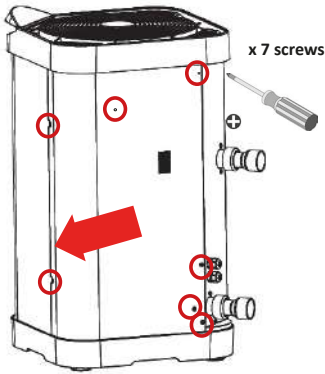
Refer to the online manual for further details about installation precautions and hydraulic connections.



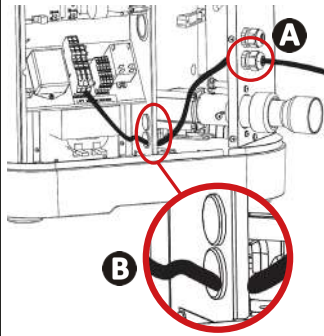
- Cut the electricity supply before any work inside the appliance (risk of electric shock). The removal of the power supply has to be such that you can always check from any of the points to which you have access that the power supply remains removed. If this is not possible, you should provide a disconnection with a locking system.
- Only a qualified and experienced technician is authorised to carry out cabling work within the appliance or to replace the power cord.
- Make sure that the terminal screws are fully tightened (risk of fire). Incorrectly tightened terminal screws will cancel the warranty.
- Do not disconnect the electricity supply when the appliance is running. If the electric power supply is interrupted, wait a minute before restoring the power.

Connect the unit to the power supply and options

1 Open and remove.

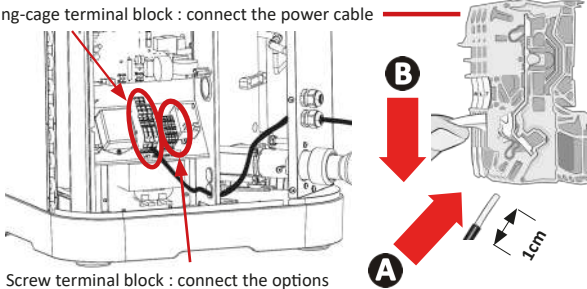


2 Pass the power cable.



3 Wire the power cable. To connect options: do not run the cables through the same cable gland as the power cable.

Spring-cage terminal block: connect the power cable



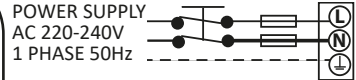
Screw terminal block: connect the options

Cable wiring and protection

Model	Electricity supply	Max. current	Cable diameter*	Thermal magnetic protection
MD4	220 - 240V 1 phase 50 Hz	9.1	<ul style="list-style-type: none"> • H07RN-F type • Diameter: between 13 and 18mm • Min. cable section: - for power supply cable: 3x2.5mm² - for option cable: 2x0.75mm² 	C or D curve 30 mA
MD5		10.8		
MD6		13.5		

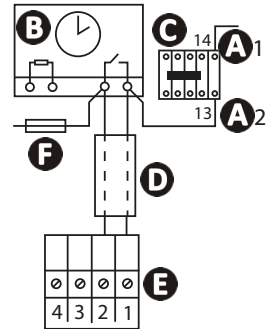
*Cable cross section suitable for max. length 20 meters.

Power supply connection



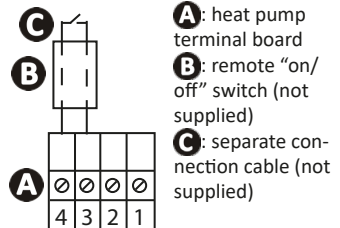
delayed fuse

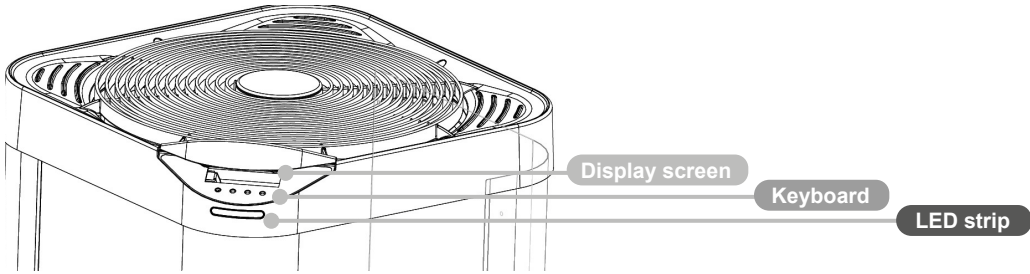
Heating priority connection



- A1 - A2**: power for filtration pump power contractor coil
- B**: filtration timer
- C**: power contractor (tripolar or bipolar) for filtration system pump motor
- D**: separate cable for the "heating priority" function (not supplied)
- E**: heat pump terminal board
- F**: fuse

Remote "ON/OFF" connection





Display screen



3 modes :

- BOOST
- SMART
- SILENCE

Measured water temperature

LED strip (lit by default)

To switch it off, see p.4

Green - "Heating"

- The heat pump is heating the water
- Temperature set point reached

Blue - "Cooling"

- The heat pump is cooling the water

Red - "Error"

- See online manual

Keyboard



- Mode change
- Menu access (press and hold)
- Validation (confirm)








- Browsing
- Setting values



- ON / OFF (press and hold)
- Return / back

Indicator lights

	Steady	Flashing	Off
	Keypad locked	-	Keyboard unlocked
	Water flow okay	Water flow too low or missing	-
	Indicates the selected mode	-	-
	-	Air temperature outside range of operation	Air temperature inside range of operation
°C °F	Selected temperature unit	-	-
	Wi-Fi connected	Wi-Fi pairing in progress	Wi-Fi not connected

**Lock/Unlock the keypad**

3 seconds

**Set automatic lock (enabled by default)**

Press and hold



Until "P19"



Confirm

ON (enabled) or
OFF (disabled)

Confirm

**Adjust the temperature setpoint**Press from the main
screen to adjust the valueIncrease or decrease
temperatureConfirm (automatic if
more than 30 seconds
of inactivity)**Recommended
temperature: 28 °C
Max temperature: 32°****Activate/deactivate the Cooling mode (disabled by default)**

The activation of the Cooling mode is validated by 3 successive blue flashes.

Long press until
screen displays
"COOL"

Confirm

ON (enabled) or OFF
(disabled)

Confirm

**Select the Heating modes**The heat pump has 3 active operating modes for
adjusting its operating speed to the power that is
required and the mode that is selected:

- "BOOST" mode
- "SMART" mode
- "SILENCE" mode

Press from the main
screen:
the ▶ indicator stops
in front of one of the 3
modes**Disable the LED strip (lit by default)**Press and hold from
the main screen:
the screen displays
"COOL"the screen displays
"LED"

Confirm

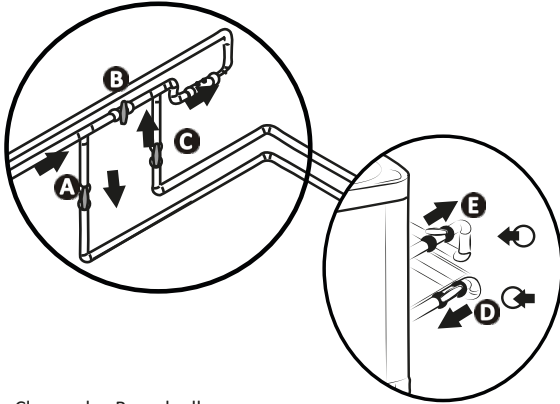
ON (enabled)
or OFF (disabled)

Confirm


Refer to the online manual for
further details about operating
modes and the LED strip behaviour.



Open the hydraulic circuit

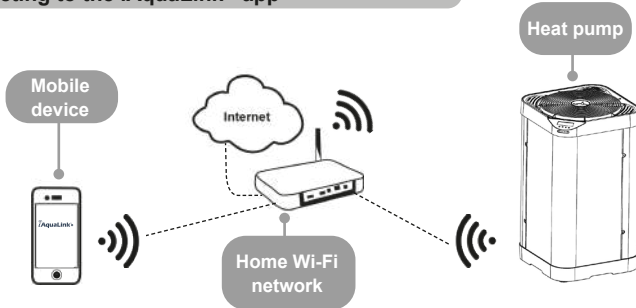


CAUTION : An incorrect by-pass setting may cause the heat pump to malfunction.

- Close valve B gradually.
- Open valves A, C and D fully. Open valve E by half (the air built up in the condenser and the filtration circuit will bleed out). If valves D and E are not present, open valve A wide and close valve C by half.
- Connect the power supply to the heat pump.
- If the heat pump is on standby, press  for 3 seconds; the splash screen appears for 4 seconds then the main screen is displayed. A 2-minute timer will start.
- Set the desired temperature.



Connecting to the iAquaLink+ app




The heat pump can be remotely controlled from a smartphone or tablet, via the iAqualink+™ app available for iOS and Android systems. Before connecting to the iAqualink+™ app, ensure that you:

- Use a Wi-Fi-enabled smartphone or tablet.
- Use a Wi-Fi network with a reasonably strong signal when connecting to the heat pump: the Wi-Fi signal must be detectable at the place where the appliance is used. If this is not the case, a technical solution must be provided to amplify the existing signal.
- Rest close to the appliance and have your home Wi-Fi network password at the ready .

Download the iAquaLink+™ app



The screen displays «bLE»

Click on  on the mobile device to add the appliance

Name the appliance



Winterising

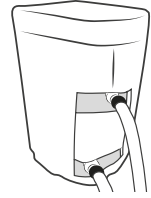


Press and hold to turn off the appliance

Disconnect the power supply

Close valves A and C and open valves D and E (if present)

Drain the water from the condenser to avoid any risk of freezing



Put the aired winterising micro cover

- In the case of full winterising for the pool (complete shutdown of the filtration system, bleed the filtration circuit or even pool drainage): re-fit the two connectors by one turn to prevent any foreign bodies from getting into the condenser.
- In the case of winterising for the heat pump only (shutdown of the heating only, the filtration keeps running): do not tighten the connectors but add 2 caps (provided) on the condenser's water inlets and outlets.
- Put the aired winterising micro cover (provided) on the heat pump passing the hydraulics connections up through the opening provided for that purpose. It is not necessary to disconnect hydraulic and electrical connections.



- **Winterising is vital to prevent the condenser breaking due to freezing (freezing without winterising is not covered by the warranty).**
- **To avoid damaging the appliance with condensation, do not fully caver it; use the provided winterising caver.**



Maintenance

- Make sure that the ventilation grid is not blocked by any foreign bodies.
- Clean the evaporator using a soft brush and a fresh water spray (disconnect the power cable).
- Clean the condensate drainage line to remove any impurities that may be blocking it.
- Make sure that the switch box's ventilation grid is clean.
- Do not use a high pressure jet. Do not spray with rain water, salt water or water which is full of minerals.
- Clean the outside of the appliance; do not use any solvent-based products. You can use a specific cleaning kit as an accessory: the PAC NET.




- **Do not disconnect the electricity supply when the appliance is running. If the electric power supply is interrupted, wait a minute before restoring power to the appliance.**
- **Before any maintenance, troubleshooting or repair operation, deactivating the modem's Wi-Fi connection is recommended to avoid any risk of the appliance being remotely controlled.**
- **It is recommended that the appliance undergo general servicing at least on a yearly basis to ensure proper operation, maintain performance levels and potentially prevent certain failures. These operations are carried out at the user's expense by a technician.**







Refer to the online manual for further details about safety instructions relative to R32 refrigerant and maintenance tasks that have to be carried out by a qualified technician.



- Before you contact the retailer, carry out these few simple checks if a problem occurs. If the problem is not resolved, contact your retailer.
-  : Actions to be performed by a qualified technician only.

Appliance behaviour

The appliance does not start heating straight away	<ul style="list-style-type: none"> • When the water flow rate is zero or is not enough, the appliance stops: check that the water is circulating correctly in the appliance and that the hydraulic connections are correct. • The appliance stops when the outdoor temperature falls below -7 °C.
The appliance is discharging water	<ul style="list-style-type: none"> • To check that the water is not coming from a leak in the pool circuit on the appliance, shut it down and run the filter pump to circulate water in the appliance. If the water continues to flow through the condensate drainage lines, there is a water leak in the appliance: contact your retailer.
The evaporator is iced over	<ul style="list-style-type: none"> • The appliance will soon switch to its defrost cycle to melt the ice. • If the appliance cannot manage to defrost its evaporator, it will stop itself; this means that the outdoor temperature is too low (below -7°C).
The appliance is “smoking”	<ul style="list-style-type: none"> • If the appliance is not in its defrost cycle, this is not normal. Switch off and disconnect the appliance immediately and contact your retailer .
The appliance is not working	<ul style="list-style-type: none"> •  If there is no display, check the supply voltage and the F1 fuse. • When the water flow rate is zero or is not enough, the appliance stops: check that the water is circulating correctly in the appliance.
The fan is running but the compressor stops from time to time with no error message	<ul style="list-style-type: none"> • If the outdoor temperature is low, the appliance will perform defrost cycles. • The appliance is unable to capture enough calories as its evaporator is clogged with dirt. Clean it to restore its performances.
The appliance is working but the water temperature does not increase	<ul style="list-style-type: none"> • The operating mode is not powerful enough (appliance in “SILENCE” or “SMART” mode). Switch to “BOOST” mode and set the filtration to 24/24 manual while the temperature rises. • Check that the automatic filling valve is not stuck in open position; this will keep supplying cold water into the pool and will prevent the temperature from rising. • There is too much heat loss as the air is cool. Install a heat insulated cover on the pool. • The appliance is unable to capture enough calories as its evaporator is clogged with dirt. Clean it to restore its performances. •  Check that the appliance is the right size for this pool and its environment.
The appliance trips the circuit breaker	<ul style="list-style-type: none"> •  Check that the circuit breaker is correctly dimensioned and that the cable section used is correct. •  The supply voltage is too low; contact your electricity supplier .



Refer to the online manual for further details about error codes display, LEDs behaviour on the printing circuit board and the wiring diagrams.



Performances: air at 28°C / water at 28°C / humidity at 80 %

		MD4	MD5	MD6
Power output (max-min speed)	kW	11 - 3.1	14 - 4.4	16 - 4.7
Power consumed (max-min speed)	kW	1.9 - 0.3	2.6 - 0.5	3.2 - 0.5
Average COP (max-min speed)		5.8 - 10.3	5.4 - 8.8	5 - 9.4

Technical specifications

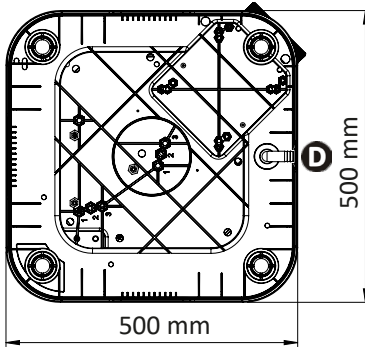
Operating temperature	Air	In "heating" mode: from -7 to 35°C In "cooling" mode: from 10 to 35°C
	Water	from 15 to 32°C
Operating pressure	Refrigerant	from 2 to 42 bar (from 0.2 to 4.2 MPa)
	Water	from 0 to 2 bar (from 0 to 0.2 MPa)
Power supply		220 - 240V ~ / 1 phase / 50 Hz
Admissible variation in voltage		± 6 % (during operation)
Hydraulic connections		2 PVC Union Ø 40 2 PVC reduction Ø 40/50 2 PVC Union 45° Ø 50
Type of cooling fluid		R32
Protection rating		IP24
Frequency bands	GHz	2.400 - 2.497
Radiofrequency emission power	dBm	+19.5
Installation location		Indoors/Outdoors

Technical specifications

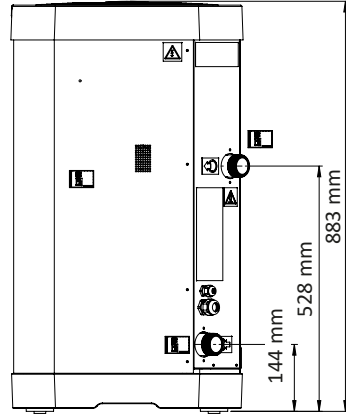
		MD4	MD5	MD6
Nominal electric current requirement	A	8	10.1	12.3
Max electric current requirement	A	9.0	12.3	15.9
Minimum cable section*	mm ²	3x2.5	3x2.5	3x2.5
Sound power (max-min)	db(A)	70 - 64	71 - 63	73 - 65
Sound pressure at 10m (max-min)	db(A)	39 - 33	40 - 32	42 - 34
Recommended water flow	m ³ /h	3.4	4.2	5
Cooling fluid load	kg	0.7	0.85	0.95
	Tonn CO2 eq.	0.47	0.57	0.64
Approximate weight	kg	41	46	47

* Values provided for information purposes for a maximum length of 20 metres (calculation base: NFC15-100), must be checked and adapted to the installation conditions and standards of the installation country.

Dimensions



Bottom



Rear

A

Technical access door

B

Pool water inlet

C

Pool water outlet

D

Condensates drain

9

Wiring diagrams symbols



4.4 Wiring diagrams

Symbol	Description	Symbol	Description
A1	Electronic regulation board	FS	Flowswitch
A2	Display board (HMI)	V1 - V2	Varistor
A4	Compressor electronic board	G/Y	Green/Yellow
CM	Compressor	BLK	Black
EEV	Electronic expansion valve	BLU	Blue
F1 - F2	Fuse	BRN	Brown
FAN	Fan motor	ORG	Orange
HP	High pressure switch	PNK	Pink
ST1	Water inlet temperature sensor	RED	Red
ST2	Ambient air temperature sensor	GRY	Grey
ST3	Coil temperature sensor	BLK	Black
ST4	Liquid line temperature sensor	VLT	Violet
ST5	Discharge temperature sensor	WHT	White
4WV	4 way valve	YEL	Yellow



Refer to this table to read the wiring diagrams label on the backside of the electrical box. The wiring diagrams are also available in the online manual.



AVERTISSEMENTS



Ce manuel ne contient que des informations de base sur les mesures de sécurité à adopter lors de l'installation, de la maintenance et de la mise en service. Le manuel complet peut être lu et téléchargé sous forme de fichier PDF sur le site web : www.zodiac.com. Tous les travaux de montage, d'installation électrique et de maintenance doivent être effectués par du personnel qualifié et autorisé qui a attentivement ce manuel. Nous nous réservons le droit de modifier totalement ou partiellement les caractéristiques de nos produits ou le contenu de ce document sans avertissement préalable.



AVERTISSEMENTS GÉNÉRAUX

- L'appareil est destiné à être utilisé dans les piscines et les spas dans un but précis ; il ne doit pas être utilisé à d'autres fins que celles pour lesquelles il a été conçu.
- Le non-respect des avertissements peut endommager gravement l'équipement de la piscine ou causer des blessures graves, voire mortelles.
- Cet appareil n'est pas destiné à être utilisé par des personnes (y compris les enfants) dont les capacités physiques, sensorielles ou mentales sont réduites, ou qui manquent d'expérience et de connaissances, à moins qu'elles n'aient été supervisées ou instruites à l'utilisation de l'appareil par une personne responsable de leur sécurité. Les enfants doivent être surveillés afin de s'assurer qu'ils ne jouent pas avec l'appareil.
- Cet appareil peut être utilisé par des enfants âgés de plus de 8 ans et par des personnes dont les capacités physiques, sensorielles ou mentales sont réduites, ou qui manquent d'expérience et de connaissances, s'ils ont été supervisés ou instruits à l'utilisation de l'appareil avec sécurité et s'ils comprennent les risques encourus. Les enfants ne doivent pas jouer avec l'appareil. Le nettoyage et la maintenance par l'utilisateur ne doivent pas être effectués par des enfants sans surveillance.
- L'appareil doit être installé conformément aux instructions du fabricant et dans le respect des réglementations locales et nationales.
- Nos produits ne peuvent être assemblés et installés que dans les piscines conformes aux normes CEI/HD 60364-7-702 et aux règles nationales requises. L'installation doit être conforme à la norme CEI/HD 60364-7-702 et aux règles nationales requises pour les piscines. Consulter votre revendeur local pour plus d'informations.

AVERTISSEMENTS ASSOCIÉS AUX APPAREILS ÉLECTRIQUES

- L'alimentation électrique de l'appareil doit être protégée par un disjoncteur différentiel dédié de 30 mA, conforme aux normes et réglementations en vigueur dans le pays où il est installé.
- L'équipement n'inclut pas de commutateur électrique pour la déconnexion. Ajouter un dispositif de déconnexion de l'alimentation dans le câblage de fixation d'une catégorie OVC III au minimum, conformément aux lois nationales applicables.
- Si le cordon d'alimentation est endommagé, il ne doit être remplacé que par le fabricant, par un représentant agréé ou par un centre de réparation.

AVERTISSEMENTS CONCERNANT LES APPAREILS CONTENANT DU RÉFRIGÉRANT R32



- Ce dispositif contient du réfrigérant R32, un réfrigérant de classe A2L, qui est considéré comme potentiellement inflammable.
- Ne pas rejeter le fluide R32 dans l'atmosphère. Il s'agit d'un gaz à effet de serre fluoré, couvert par le protocole de Kyoto, dont le potentiel de réchauffement global (PRG) est égal à 675 (règlement européen UE 517/2014).
- Afin de respecter les normes et réglementations applicables en matière d'environnement et d'installation, notamment le décret n° 2015-1790 et/ou le règlement européen UE 517/2014, un test d'étanchéité doit être effectué sur le circuit de refroidissement lors de la première mise en marche de l'appareil et au moins une fois par an. Cette opération doit être effectuée par un spécialiste certifié pour tester les appareils de refroidissement.
- L'appareil doit être entreposé dans une pièce sans source d'inflammation permanente (par exemple, flammes nues, appareil à gaz ou chauffage électrique en fonctionnement).
- Pour plus d'informations, consulter les consignes de sécurité relatives aux appareils contenant du gaz R32 dans la version étendue du manuel, dans laquelle sont spécifiés le contrôle de la zone, la procédure de travail, la zone de travail générale, le contrôle de la présence du réfrigérant, le contrôle de la présence d'un extincteur, l'absence de source d'inflammation, la ventilation de la zone, le contrôle de l'équipement réfrigérant, le contrôle des composants électriques, la réparation des composants isolés, la réparation des composants intrinsèques, le câblage, la détection d'un réfrigérant inflammable, le retrait et le vidage, les procédures de chargement et le démontage.

INSTALLATION ET MAINTENANCE

- Seule une personne qualifiée dans les domaines techniques concernés (électricité, hydraulique ou réfrigération) est autorisée à effectuer les travaux d'installation, d'entretien ou de réparation de l'appareil.
- L'appareil ne doit pas être installé à proximité de matériaux combustibles ou de l'entrée du conduit d'air d'un bâtiment adjacent.
- Lors de l'entretien de l'appareil, vérifier la composition et l'état du fluide caloporteur, ainsi que l'absence de toute trace de liquide de refroidissement.
- Lors du test annuel d'étanchéité de l'appareil, conformément à la législation en vigueur, vérifier que les pressostats haute et basse pression sont bien fixés au circuit de refroidissement et qu'ils coupent le circuit électrique en cas de déclenchement.
- Lors des travaux de maintenance, s'assurer qu'il n'y a pas de traces de corrosion ou d'huile autour des composants de refroidissement.
- Avant de commencer des travaux sur le circuit de refroidissement, arrêter l'appareil et attendre quelques minutes avant de monter les capteurs de température et de pression. Certains éléments, tels que le compresseur et la tuyauterie, peuvent atteindre des températures supérieures à 100 °C et des pressions élevées, avec le risque de brûlures graves que cela implique.



AVERTISSEMENTS



SPÉCIFICATIONS DU RÉFRIGÉRANT

Contrôle de la zone

- Ce dispositif contient du réfrigérant R32, un réfrigérant de classe A2L, qui est considéré comme potentiellement inflammable.
- Ne pas rejeter le fluide R32 dans l'atmosphère. Il s'agit d'un gaz à effet de serre fluoré, couvert par le protocole de Kyoto, dont le potentiel de réchauffement global (PRG) est égal à 675 (règlement européen UE 517/2014).
- Afin de respecter les normes et réglementations applicables en matière d'environnement et d'installation, notamment le décret n° 2015-1790 et/ou le règlement européen UE 517/2014, un test d'étanchéité doit être effectué sur le circuit de refroidissement lors de la première mise en marche de l'appareil et au moins une fois par an. Cette opération doit être effectuée par un spécialiste certifié pour tester les appareils de refroidissement
- L'appareil doit être entreposé dans une pièce sans source d'inflammation permanente (par exemple, flammes nues, appareil à gaz ou chauffage électrique en fonctionnement).
- Pour plus d'informations, consulter les consignes de sécurité relatives aux appareils contenant du gaz R32 dans la version étendue du manuel, dans laquelle sont spécifiés le contrôle de la zone, la procédure de travail, la zone de travail générale, le contrôle de la présence du réfrigérant, le contrôle de la présence d'un extincteur, l'absence de source d'inflammation, la ventilation de la zone, le contrôle de l'équipement réfrigérant, le contrôle des composants électriques, la réparation des composants isolés, la réparation des composants intrinsèques, le câblage, la détection d'un réfrigérant inflammable, le retrait et le vidage, les procédures de chargement et le démontage.

Procédure de travail

- Les travaux doivent être entrepris selon une procédure contrôlée afin de minimiser le risque de présence de gaz ou de vapeurs inflammables pendant l'exécution des travaux.

Zone de travail générale

- Le personnel de maintenance et les autres personnes travaillant dans la zone doivent être informés de la nature des travaux à effectuer. Le travail dans des espaces confinés doit être évité.

Contrôle de la présence du réfrigérant

- La zone doit être contrôlée à l'aide d'un détecteur de réfrigérant approprié avant et pendant le travail, afin de s'assurer que le technicien est averti des atmosphères potentiellement toxiques ou inflammables. S'assurer que l'équipement de détection des fuites utilisé est adapté à une utilisation avec tous les réfrigérants applicables, c'est-à-dire qu'il ne produit pas d'étincelles, qu'il est correctement scellé ou qu'il est intrinsèquement sûr.

Contrôle de la présence d'un extincteur

- Si des travaux impliquant de la chaleur doivent être effectués sur l'équipement de réfrigération ou sur toute pièce associée, un équipement d'extinction des incendies approprié doit être disponible à portée de main. Un extincteur à poudre ou à CO2 doit être présent à proximité de la zone de chargement.

Absence de source d'inflammation

- Il est interdit à toute personne effectuant un travail sur un système de réfrigération qui implique l'exposition d'une tuyauterie d'utiliser des sources d'inflammation d'une manière qui puisse entraîner un risque d'incendie ou d'explosion. Toutes les sources d'inflammation possibles, y compris la cigarette, doivent être maintenues suffisamment éloignées du site d'installation, de réparation, de retrait et d'élimination, quand du réfrigérant peut éventuellement être libéré dans l'espace environnant. Avant le début des travaux, la zone autour de l'équipement doit être examinée pour s'assurer qu'il n'y a pas de risques d'inflammabilité ou d'inflammation. Des panneaux « Défense de fumer » doivent être affichés.

Ventilation de la zone

- Avant de pénétrer dans l'unité de quelque manière que ce soit pour effectuer un entretien, s'assurer que la zone est ouverte et correctement ventilée. Une ventilation adéquate doit être maintenue pendant l'entretien de l'unité pour permettre une dispersion sûre de tout réfrigérant qui pourrait être libéré par inadvertance dans l'atmosphère.



INFORMATIONS SUR LE RECYCLAGE

- Contacter votre revendeur pour obtenir les informations sur le recyclage.

INFORMATIONS POUR LES PRODUITS AVEC CONNECTIVITÉ (selon la directive RED)

Déclaration de conformité

Par la présente, Zodiac déclare que l'équipement radio de type Z350iQ est conforme à la directive 2014/53/UE. Le texte intégral de la Déclaration de conformité européenne est disponible à l'adresse suivante : <https://www.zodiac-poolcare.com/>.

1 Installation de l'appareil

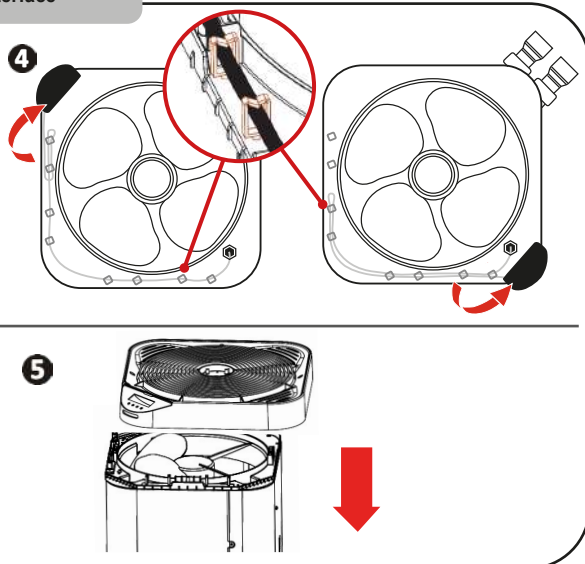
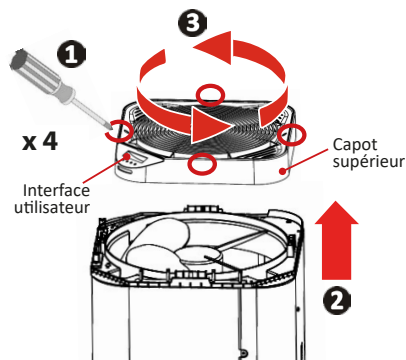


1 Installation

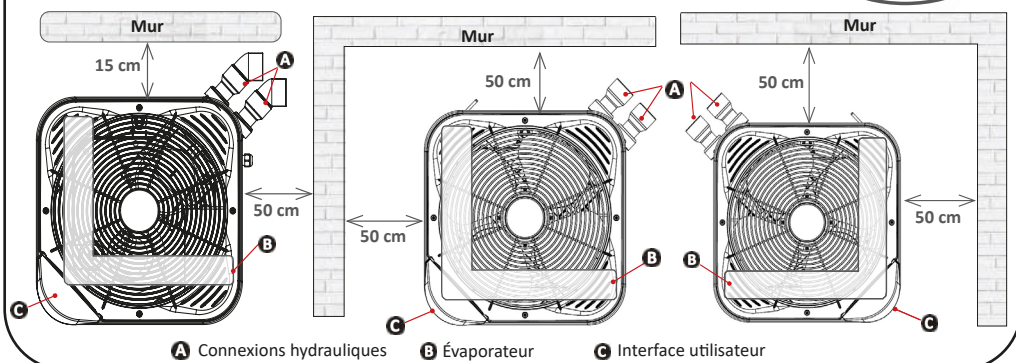
Faire pivoter la partie supérieure et l'interface utilisateur si nécessaire



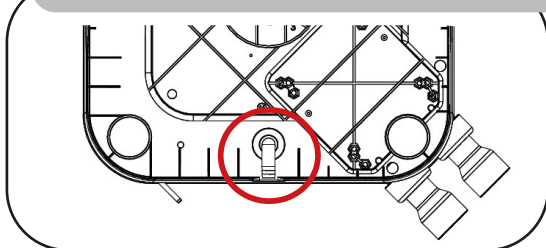
ATTENTION : Le tableau d'affichage (sous l'écran d'affichage) est relié par un câble au tableau de commande à l'intérieur de l'unité. Manipuler le capot supérieur avec précaution pour ne pas endommager ce câble.



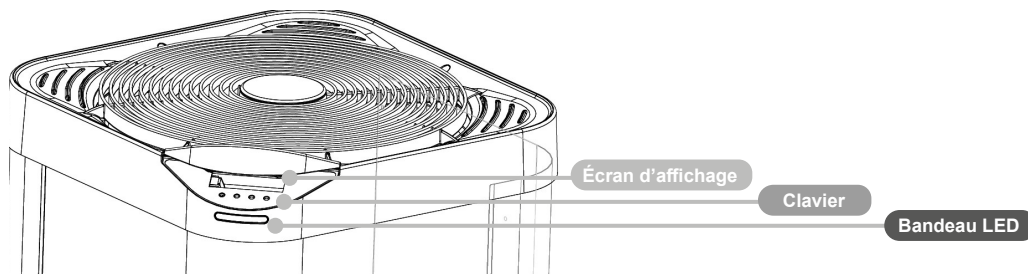
Choisir l'emplacement et les connecteurs hydrauliques qui conviennent le mieux à la configuration de l'installation



Évacuer les condensats Installer un tuyau de Ø18 sur le coude rainuré à monter sous la base de l'appareil.



Consulter le manuel en ligne pour plus de détails sur les précautions d'installation et les connexions hydrauliques.



Écran d'affichage



3 modes :

- BOOST
- SMART
- SILENCE

Température de l'eau mesurée

Bandeau LED (allumé par défaut)
Pour l'éteindre, voir page 4

Vert - « Chauffage »

- La pompe à chaleur chauffe l'eau
- Le point de consigne de la température est atteint

Bleu - « Refroidissement »

- La pompe à chaleur refroidit l'eau

Rouge - « Erreur »

- Voir le manuel en ligne

Clavier



- Changement de mode
- Accès au menu (appuyer et maintenir)
- Validation (confirmer)



- Navigation
- Réglage des valeurs



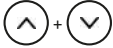
- ON / OFF (appuyer et maintenir)
- Retour

Voyants lumineux

	Fixe	Clignotant	Éteint
	Clavier verrouillé	-	Clavier déverrouillé
	Débit d'eau correct	Débit d'eau trop faible ou absent	-
	Indique le mode sélectionné	-	-
	-	Température de l'air en dehors de la plage de fonctionnement	Température de l'air dans la plage de fonctionnement
°C °F	Unité de température sélectionnée	-	-
	Wi-Fi connecté	Appairage Wi-Fi en cours	Wi-Fi Non connecté



Verrouiller/déverrouiller le clavier



3 secondes



Définir le verrouillage automatique (activé par défaut)



Appuyer et maintenir



Jusqu'à « P19 »



Confirmer



ON (activé) ou OFF (désactivé)



Confirmer



Régler le point de consigne de température



Appuyer depuis l'écran principal pour régler la valeur



Augmenter ou diminuer la température



Confirmer (automatique si plus de 30 secondes d'inactivité)

Température recommandée : 28 °C
Température max. : 32 °C



Activer/désactiver le mode Refroidissement (désactivé par défaut)

L'activation du mode Refroidissement est validée par 3 clignotements bleus successifs.



Appuyer longuement jusqu'à ce que l'écran affiche « COOL »



Confirmer



ON (activé) ou OFF (désactivé)



Confirmer



Sélectionner les modes de chauffage

La pompe à chaleur dispose de 3 modes de fonctionnement actifs pour adapter sa vitesse de fonctionnement à la puissance requise et au mode sélectionné :

- mode « BOOST »
- mode « SMART »
- mode « SILENCE »



Appuyer depuis l'écran principal : l'indicateur ► s'arrête devant l'un des 3 modes



Désactiver le bandeau LED (allumé par défaut)



Appuyer et maintenir depuis l'écran principal : l'écran affiche « COOL »



l'écran affiche « LED »



Confirmer



ON (activé) ou OFF (désactivé)



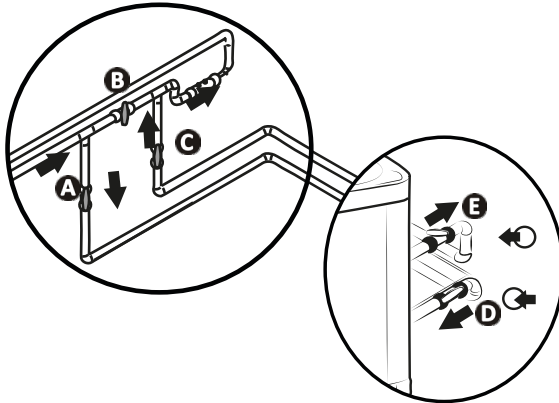
Confirmer




Consulter le manuel en ligne pour plus de détails sur les modes de fonctionnement et le comportement du bandeau LED.



Ouvrir le circuit hydraulique

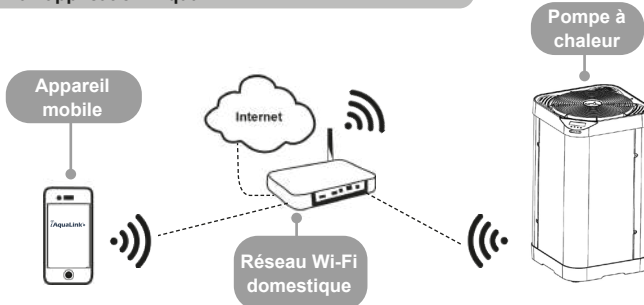


ATTENTION : Un réglage incorrect du bypass peut entraîner un dysfonctionnement de la pompe à chaleur.

- Fermer progressivement la vanne B.
- Ouvrir complètement les vannes A, C et D. Ouvrir la vanne E à moitié (l'air accumulé dans le condenseur et le circuit de filtration sera purgé). Si les vannes D et E ne sont pas présentes, ouvrir la vanne A entièrement et fermer la vanne C à moitié.
- Brancher l'alimentation électrique sur la pompe à chaleur.
- Si la pompe à chaleur est en veille, appuyer sur  pendant 3 secondes : l'écran d'accueil apparaît pendant 4 secondes puis l'écran principal s'affiche. Un minuteur de 2 minutes démarre.
- Régler la température souhaitée.



Revenir à l'application iAquaLink+




La pompe à chaleur peut être contrôlée à distance depuis un smartphone ou une tablette, via l'application iAquaLink+™ disponible pour les systèmes iOS et Android. Avant de se connecter à l'application iAquaLink+™, veiller à :

- Utiliser un smartphone ou une tablette compatible Wi-Fi.
- Utiliser un réseau Wi-Fi avec un signal raisonnablement fort lors de la connexion à la pompe à chaleur : le signal Wi-Fi doit être détectable à l'endroit où l'appareil est utilisé. Si ce n'est pas le cas, une solution technique doit être fournie pour amplifier le signal existant.
- Rester à proximité de l'appareil et préparer le mot de passe du réseau Wi-Fi domestique.

Télécharger l'application iAquaLink+™



L'écran affiche « bLE »

Cliquer sur  sur l'appareil mobile pour ajouter l'appareil

Nommer l'appareil



Hivernage



Appuyer et maintenir pour éteindre l'appareil

Débrancher l'alimentation électrique

Fermer les vannes A et C et ouvrir les vannes D et E (le cas échéant)

Vidanger l'eau du condenseur pour éviter tout risque de gel



Mettre la micro-couverture d'hivernage aérée

- En cas d'hivernage complet de la piscine (arrêt complet du système de filtration, purge du circuit de filtration ou vidange de la piscine) : remonter les deux connecteurs avec un tour pour éviter toute pénétration de corps étrangers dans le condenseur.
- En cas d'hivernage de la pompe à chaleur seule (arrêt du chauffage seul, la filtration continue de fonctionner) : ne pas serrer les connecteurs mais ajouter 2 bouchons (fournis) sur les entrées et sorties d'eau du condenseur.
- Mettre la micro-couverture d'hivernage aérée (fournie) sur la pompe à chaleur en faisant passer les connexions hydrauliques par l'ouverture prévue à cet effet. Il n'est pas nécessaire de déconnecter les connexions hydrauliques et électriques.



- **L'hivernage est essentiel pour éviter toute rupture du condenseur à cause du gel (le gel sans hivernage n'est pas couvert par la garantie).**
- Pour éviter d'endommager l'appareil avec la condensation, ne pas le couvrir entièrement et utiliser le caisson d'hivernage fourni.



Maintenance

- S'assurer que la grille de ventilation n'est pas obstruée par des corps étrangers.
- Nettoyer l'évaporateur à l'aide d'une brosse douce et d'un jet d'eau fraîche (débrancher le câble d'alimentation).
- Nettoyer la conduite d'évacuation des condensats pour éliminer les impuretés qui pourraient l'obstruer.
- S'assurer que la grille de ventilation du boîtier de commutation est propre.
- Ne pas utiliser de jet à haute pression. Ne pas pulvériser d'eau de pluie, d'eau salée ou d'eau chargée de minéraux.
- Nettoyer l'extérieur de l'appareil ; ne pas utiliser de produits à base de solvants. Vous pouvez utiliser un kit de nettoyage spécifique comme accessoire : le PAC NET.




- **Ne pas débrancher l'alimentation électrique lorsque l'appareil est en marche. Si l'alimentation électrique est interrompue, attendre une minute avant de rétablir le courant vers l'appareil.**
- Avant toute opération de maintenance, de dépannage ou de réparation, il est recommandé de désactiver la connexion Wi-Fi du modem pour éviter tout risque de contrôle à distance de l'appareil.
- Il est recommandé de réaliser un entretien général de l'appareil au moins une fois par an afin de garantir son bon fonctionnement, de maintenir les niveaux de performance et éventuellement d'éviter certaines défaillances. Ces opérations sont effectuées aux frais de l'utilisateur par un technicien.



Consulter le manuel en ligne pour plus de détails sur les consignes de sécurité relatives au réfrigérant R32 et sur les tâches de maintenance qui doivent être effectuées par un technicien qualifié.



- Avant de contacter le revendeur, effectuer ces quelques contrôles simples en cas de problème. Si le problème n'est pas résolu, contacter votre revendeur.
-  : Les actions doivent être effectuées par un technicien qualifié uniquement.

Comportement de l'appareil

L'appareil ne commence pas à chauffer immédiatement	<ul style="list-style-type: none"> • Lorsque le débit d'eau est nul ou insuffisant, l'appareil s'arrête : vérifier que l'eau circule correctement dans l'appareil et que les connexions hydrauliques sont correctes. • L'appareil s'arrête lorsque la température extérieure descend en dessous de -7 °C.
L'appareil rejette de l'eau	<ul style="list-style-type: none"> • Pour vérifier que l'eau ne provient pas d'une fuite dans le circuit de la piscine sur l'appareil, l'éteindre et faire fonctionner la pompe de filtrage pour faire circuler l'eau dans l'appareil. Si l'eau continue à s'écouler par les conduites d'évacuation des condensats, il y a une fuite d'eau dans l'appareil : contacter votre revendeur.
L'évaporateur est gelé	<ul style="list-style-type: none"> • L'appareil va bientôt passer au cycle de dégivrage pour faire fondre la glace. • Si l'appareil ne parvient pas à dégivrer son évaporateur, il s'arrête de lui-même ; cela signifie que la température extérieure est trop basse (inférieure à - °C).
L'appareil est « fumant »	<ul style="list-style-type: none"> • Si l'appareil n'est pas dans son cycle de dégivrage, ce n'est pas normal. Éteindre et débrancher immédiatement l'appareil et contacter votre revendeur.
L'appareil ne fonctionne pas	<ul style="list-style-type: none"> •  S'il n'y a pas d'affichage, vérifier la tension d'alimentation et le fusible F1. • Lorsque le débit d'eau est nul ou insuffisant, l'appareil s'arrête : vérifier que l'eau circule correctement dans l'appareil.
Le ventilateur fonctionne mais le compresseur s'arrête de temps en temps sans message d'erreur	<ul style="list-style-type: none"> • Si la température extérieure est basse, l'appareil effectue des cycles de dégivrage. • L'appareil ne parvient pas à capter suffisamment de calories car son évaporateur est encrassé. Le nettoyer pour rétablir ses performances.
L'appareil fonctionne mais la température de l'eau n'augmente pas	<ul style="list-style-type: none"> • Le mode de fonctionnement n'est pas assez puissant (appareil en mode « SILENCE » ou « SMART »). Passer en mode « BOOST » et régler la filtration sur 24/24 manuel pendant que la température augmente. • Vérifier que la vanne de remplissage automatique n'est pas bloquée en position ouverte ; ceci continue à alimenter la piscine en eau froide et empêche la température d'augmenter. • Il y a trop de pertes de chaleur car l'air est frais. Installer une couverture isolée thermiquement sur la piscine. • L'appareil ne parvient pas à capter suffisamment de calories car son évaporateur est encrassé. Le nettoyer pour rétablir ses performances. •  Vérifier que l'appareil est de la bonne taille pour cette piscine et son environnement.
L'appareil déclenche le disjoncteur	<ul style="list-style-type: none"> •  Vérifier que le disjoncteur est correctement dimensionné et que la section de câble utilisée est correcte. •  La tension d'alimentation est trop faible ; contacter votre fournisseur d'électricité.



Consulter le manuel en ligne pour plus de détails sur l'affichage des codes d'erreur, sur le comportement des LED sur la carte de circuit imprimé et sur les schémas de câblage.



Performances : air à 28 °C / eau à 28 °C / humidité à 80 %

		MD4	MD5	MD6
Puissance de sortie (vitesse max-min)	kW	11 - 3,1	14 - 4,4	16 - 4,7
Puissance consommée (vitesse max-min)	kW	1,9 - 0,3	2,6 - 0,5	3,2 - 0,5
CdP moyen (vitesse max-min)		5,8 - 10,3	5,4 - 8,8	5 - 9,4

Spécifications techniques

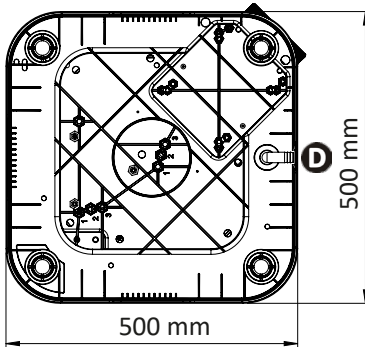
Température de fonctionnement	Air	En mode « chauffage » : de -7 à 35 °C En mode « refroidissement » : de 10 à 35 °C
	Eau	de 15 à 32 °C
Pression de fonctionnement	Réfrigérant	de 2 à 42 bar (de 0,2 à 4,2 MPa)
	Eau	de 0 à 2 bar (de 0 à 0,2 MPa)
Alimentation électrique		220 - 240 V ~ / 1 phase / 50 Hz
Variation de tension admissible		± 6 % (pendant le fonctionnement)
Connexions hydrauliques		2 raccords PVC Ø 40 2 réductions PVC Ø 40/50 2 raccords PVC 45° Ø 50
Type de fluide de refroidissement		R32
Indice de protection		IP24
Bandes de fréquence	GHz	2,400 - 2,497
Puissance d'émission de radiofréquences	dBm	+19,5
Lieu d'installation		Intérieur/extérieur

Spécifications techniques

		MD4	MD5	MD6
Besoin en courant électrique nominal	A	8	10,1	12,3
Besoin en courant électrique maximal	A	9,0	12,3	15,9
Section minimale du câble*	mm ²	3x2.5	3x2.5	3x2.5
Puissance sonore (max-min)	db(A)	70 - 64	71 - 63	73 - 65
Pression sonore à 10 m (max-min)	db(A)	39 - 33	40 - 32	42 - 34
Débit d'eau recommandé	m ³ /h	3,4	4,2	5
Charge de fluide de refroidissement	kg	0,7	0,85	0,95
	Équiv. Tonne de CO2	0,47	0,57	0,64
Poids approximatif	kg	41	46	47

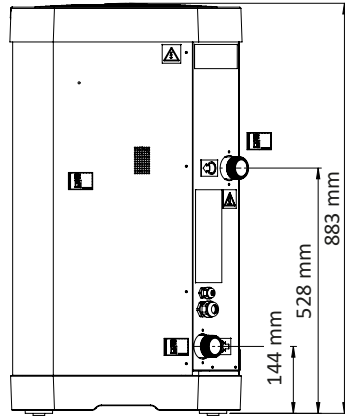
* Valeurs données à titre indicatif pour une longueur maximale de 20 mètres (base de calcul : NFC15-100), doivent être vérifiés et adaptés aux conditions de l'installation et aux normes du pays d'installation.

Dimensions



500 mm

Fond



Arrière

A

Porte d'accès technique

B

Entrée d'eau de la piscine

C

Sortie d'eau de la piscine

D

Vidange des condensats

9

Symboles des schémas de câblage



4.4 Schémas de câblage

Symbole	Description	Symbole	Description
A1	Carte de régulation électronique	FS	Commutateur de débit
A2	Tableau d'affichage (IHM)	V1 - V2	Varistance
A4	Carte électronique du compresseur	G/Y	Vert/Jaune
CM	Compresseur	BLK	Noir
EEV	Vanne d'expansion électronique	BLU	Bleu
F1 - F2	Fusible	BRN	Marron
FAN	Moteur du ventilateur	ORG	Orange
HP	Commutateur haute pression	PNK	Rose
ST1	Sonde de température d'entrée d'eau	RED	Rouge
ST2	Capteur de température de l'air ambiant	GRY	Gris
ST3	Capteur de température de la bobine	BLK	Noir
ST4	Capteur de température de la conduite de liquide	VLT	Violet
ST5	Capteur de température de vidange	WHT	Blanc
4WV	Vanne à 4 voies	YEL	Jaune



Consulter ce tableau pour lire l'étiquette des schémas de câblage située au dos du boîtier électrique. Les schémas de câblage sont également disponibles dans le manuel en ligne.



WARNUNGEN



Dieses Handbuch enthält nur grundlegende Informationen über die Sicherheitsmaßnahmen, die bei der Installation, Wartung und Inbetriebnahme zu ergreifen sind. Das vollständige Handbuch kann auf folgender Website gelesen und als PDF-Datei heruntergeladen werden: www.zodiac.com. Montage-, Elektroinstallations- und Wartungsarbeiten müssen von qualifiziertem, autorisiertem Personal durchgeführt werden, das diese Anleitung aufmerksam und vollständig gelesen hat. Wir behalten uns das Recht vor, die Eigenschaften unserer Produkte oder den Inhalt dieses Dokuments ohne vorherige Ankündigung ganz oder teilweise zu ändern.



! ALLGEMEINE WARNUNGEN

- Das Gerät ist für den Einsatz in Pools und Spas bestimmt. Es darf ausschließlich für den bestimmungsgemäßen Zweck verwendet werden.
- Die Nichtbeachtung der Warnhinweise kann zu schweren Schäden an der Pooltechnik sowie zu schweren Verletzungen bis hin zum Tod führen.
- Dieses Gerät ist nicht für die Verwendung durch Personen (einschließlich Kindern) mit eingeschränkten körperlichen, sensorischen oder geistigen Fähigkeiten oder ohne ausreichende Erfahrung und Kenntnis geeignet, es sei denn, sie werden durch eine für ihre Sicherheit verantwortliche Person beaufsichtigt und unterwiesen. Kinder müssen beaufsichtigt werden, um sicherzustellen, dass sie nicht mit dem Gerät spielen.
- Dieses Gerät kann von Kindern ab 8 Jahren und Personen mit eingeschränkten körperlichen, sensorischen oder geistigen Fähigkeiten oder ohne ausreichende Erfahrung und Kenntnis verwendet werden, wenn sie in sicherer Weise beaufsichtigt oder unterwiesen wurden und die damit verbundenen Gefahren verstehen. Kinder dürfen nicht mit dem Gerät spielen. Reinigung und Pflege dürfen nicht von unbeaufsichtigten Kindern durchgeführt werden.
- Die Installation des Geräts muss gemäß den Anweisungen des Herstellers und in Übereinstimmung mit den lokalen und nationalen Vorschriften erfolgen.
- Unsere Produkte dürfen nur in Schwimmbecken montiert und installiert werden, die den Normen IEC/HD 60364-7-702 und den geltenden nationalen Vorschriften entsprechen. Die Installation muss der Norm IEC/HD 60364-7-702 und den geltenden nationalen Vorschriften für Schwimmbecken entsprechen. Weitere Informationen erhalten Sie von Ihrem Händler vor Ort.

! WARNUNGEN IN BEZUG AUF ELEKTRISCHE GERÄTE

- Die Stromversorgung des Geräts muss durch einen speziellen Fehlerstromschutzschalter mit 30 mA geschützt sein, der den geltenden Normen und Vorschriften des Landes entspricht, in dem das Gerät installiert wird.
- Das Gerät verfügt nicht über einen elektrischen Schalter zum Trennen der Stromversorgung; es muss eine festverdrahtete Vorrichtung zum Trennen der Stromversorgung mindestens gemäß OVC III eingebaut werden, die den geltenden nationalen Vorschriften entspricht.
- Wenn das Netzkabel beschädigt ist, darf es nur durch den Hersteller, einen autorisierten Vertreter oder eine Reparaturwerkstatt ersetzt werden.

! WARNUNGEN FÜR GERÄTE, DIE DAS KÄLTEMITTEL R32 ENTHALTEN



- Dieses Gerät enthält das Kältemittel R32, ein Kältemittel der Sicherheitsgruppe A2L, das als potentiell entflammbar gilt.
- R32 nicht in die Atmosphäre entweichen lassen. Es handelt sich um ein fluoriertes Treibhausgas, das unter das Kyoto-Protokoll fällt und ein Treibhauspotential (Global Warming Potential, GWP) von 675 aufweist (Verordnung (EU) 517/2014).
- Um die anwendbaren Umwelt- und Installationsnormen und -vorschriften einzuhalten, insbesondere den französischen Erlass Nr. 2015-1790 und/oder die Verordnung (EU) 517/2014, muss bei Erstinbetriebnahme des Geräts und mindestens einmal jährlich eine Dichtheitsprüfung des Kühlkreislaufs durchgeführt werden. Dieser Vorgang muss von einer Fachkraft durchgeführt werden, die für die Prüfung von Kühlgeräten zertifiziert ist.
- Das Gerät muss in einem Raum gelagert werden, in dem sich keine ständig in Betrieb befindlichen Zündquellen befinden (z. B. offenes Feuer, ein in Betrieb befindliches Gasgerät oder ein in Betrieb befindliches elektrisches Heizgerät).
- Weitere Informationen sind in den Sicherheitshinweisen für R32-haltige Geräte in der erweiterten Fassung des Handbuchs zu finden. Dort sind folgende Themen aufgeführt: Überprüfung des Bereichs, Arbeitsverfahren, allgemeiner Arbeitsbereich, Überprüfung auf das Vorhandensein von Kältemittel, Verfügbarkeit eines Feuerlöschers, keine Zündquellen, Belüftung des Bereichs, Überprüfung der Kältemittelausrüstung, Überprüfung der elektrischen Komponenten, Reparatur von isolierten Komponenten, Reparatur von eigensicheren Komponenten, Verkabelung, Erkennung von entflammbarem Kältemittel, Entfernung und Entleerung, Befüllungsverfahren und Demontage.

! INSTALLATION UND WARTUNG

- Nur eine in den betreffenden technischen Bereichen (Elektrik, Hydraulik oder Kältetechnik) qualifizierte Person ist befugt, Installations-, Wartungs- oder Reparaturarbeiten an dem Gerät durchzuführen.
- Das Gerät darf nicht in der Nähe von brennbaren Materialien oder einer Luftansaugöffnung eines angrenzenden Gebäudes aufgestellt werden.
- Bei der Wartung des Geräts müssen die Zusammensetzung und der Zustand des Wärmeträgermediums überprüft werden, außerdem ist sicherzustellen, dass keine Spuren von Kühlmittel vorhanden sind.
- Bei der jährlichen Dichtheitsprüfung des Geräts gemäß den geltenden Rechtsvorschriften sind der Hoch- und der Niederdruckschalter zu überprüfen, um sicherzustellen, dass sie sicher an den Kühlkreislauf angeschlossen sind und bei Auslösung den Stromkreislauf unterbrechen.
- Bei der Wartung ist zu überprüfen, dass sich keine Korrosions- oder Ölspuren im Bereich der Kühlkomponenten befinden.
- Vor der Durchführung von Arbeiten am Kühlkreislauf Gerät ausschalten und einige Minuten warten, bevor Temperatur- und Drucksensoren angebracht werden. Einige Elemente wie der Kompressor und die Rohrleitungen können Temperaturen von über 100 °C erreichen und mit hohem Druck beaufschlagt sein, was zu schweren Verbrennungen führen kann.



WARNUNGEN



VORGABEN IN BEZUG AUF DAS KÄLTEMITTEL

Überprüfung des Bereichs

- Dieses Gerät enthält das Kältemittel R32, ein Kältemittel der Sicherheitsgruppe A2L, das als potentiell entflammbar gilt.
- R32 nicht in die Atmosphäre entweichen lassen. Es handelt sich um ein fluoriertes Treibhausgas, das unter das Kyoto-Protokoll fällt und ein Treibhauspotenzial (Global Warming Potential, GWP) von 675 aufweist (Verordnung (EU) 517/2014).
- Um die anwendbaren Umwelt- und Installationsnormen und -vorschriften einzuhalten, insbesondere den französischen Erlass Nr. 2015-1790 und/oder die Verordnung (EU) 517/2014, muss bei Erstinbetriebnahme des Geräts und mindestens einmal jährlich eine Dichtheitsprüfung des Kühlkreislaufs durchgeführt werden. Dieser Vorgang muss von einer Fachkraft durchgeführt werden, die für die Prüfung von Kühlgeräten zertifiziert ist.
- Das Gerät muss in einem Raum gelagert werden, in dem sich keine ständig in Betrieb befindlichen Zündquellen befinden (z. B. offenes Feuer, ein in Betrieb befindliches Gasgerät oder ein in Betrieb befindliches elektrisches Heizgerät).
- Weitere Informationen sind in den Sicherheitshinweisen für R32-haltige Geräte in der erweiterten Fassung des Handbuchs zu finden. Dort sind folgende Themen aufgeführt: Überprüfung des Bereichs, Arbeitsverfahren, allgemeiner Arbeitsbereich, Überprüfung auf das Vorhandensein von Kältemittel, Verfügbarkeit eines Feuerlöschers, keine Zündquellen, Belüftung des Bereichs, Überprüfung der Kältemittelausrüstung, Überprüfung der elektrischen Komponenten, Reparatur von isolierten Komponenten, Reparatur von eigensicheren Komponenten, Verkabelung, Erkennung von entflammbarem Kältemittel, Entfernung und Entleerung, Befüllungsverfahren und Demontage.

Arbeitsverfahren

- Die Arbeiten müssen nach einem kontrollierten Verfahren durchgeführt werden, um das Risiko des Vorhandenseins von brennbaren Gasen oder Dämpfen während der Arbeiten zu minimieren.

Allgemeiner Arbeitsbereich

- Das gesamte Wartungspersonal und andere Personen, die in diesem Bereich arbeiten, müssen über die Art der durchzuführenden Arbeiten unterrichtet werden. Arbeiten in beengten Räumen sind zu vermeiden.

Überprüfung auf das Vorhandensein von Kältemittel

- Der Bereich muss vor und während der Arbeiten mit einem geeigneten Kältemitteldetektor überprüft werden, um sicherzustellen, dass der Techniker von einer potenziell toxischen oder entflammbaren Atmosphäre weiß. Das verwendete Lecksuchgerät muss für alle anwendbaren Kältemittel geeignet sein, d. h. nicht funksprühend, ausreichend abgedichtet und eigensicher.

Verfügbarkeit eines Feuerlöschers

- Wenn an der Kältemaschine oder zugehörigen Komponenten Arbeiten mit Wärmeinwirkung durchgeführt werden, müssen geeignete Feuerlöschgeräte zur Verfügung stehen. Halten Sie einen Trockenpulver- oder CO₂-Feuerlöscher in der Nähe des Ladebereichs bereit.

Keine Zündquellen

- Bei Arbeiten an einer Kühlanlage, bei denen Rohrleitungen freigelegt werden müssen, dürfen keine Zündquellen verwendet werden, die zu einer Brand- oder Explosionsgefahr führen können. Alle potenziellen Zündquellen, darunter fällt auch das Rauchen von Zigaretten, sind ausreichend weit von dem Ort fern zu halten, an dem Installation, Reparatur, Ausbau und Entsorgung durchgeführt werden, wobei möglicherweise Kältemittel in die Umgebung freigesetzt werden kann. Vor Beginn der Arbeiten ist der Bereich um das Gerät herum zu überprüfen, um sicherzustellen, dass keine Brand- oder Zündgefahren bestehen. Es sind Rauchverbotschilder anzubringen.

Belüftung des Bereichs

- Vor der Durchführung der erforderlichen Wartungsarbeiten ist sicherzustellen, dass der Bereich offen und ausreichend belüftet ist. Während der Durchführung von Wartungsarbeiten am Gerät muss eine ausreichende Belüftung gewährleistet sein, damit unbeabsichtigt in die Atmosphäre freigesetztes Kältemittel sicher abgeleitet werden kann.



INFORMATIONEN ZUM RECYCLING

- Informationen zum Recycling erhalten Sie bei Ihrem Händler.

PRODUKTINFORMATIONEN FÜR FUNKANLAGEN (gemäß RED-Richtlinie)

Konformitätserklärung

Hiermit erklärt Zodiac, dass die Funkanlage des Typs Z350iQ mit der Richtlinie 2014/53/EU konform ist. Der vollständige Text der EU-Konformitätserklärung ist unter folgender Adresse zu finden: <https://www.zodiac-poolcare.com/>.

1 Installation des Geräts

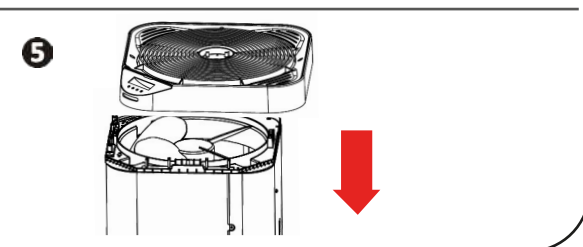
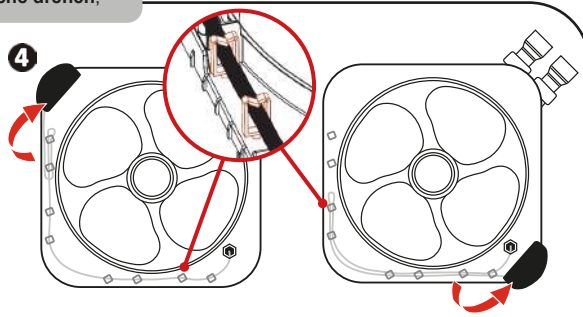
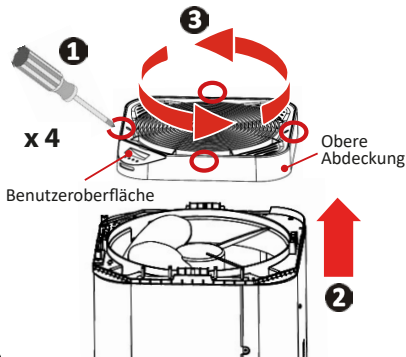


1 Installation

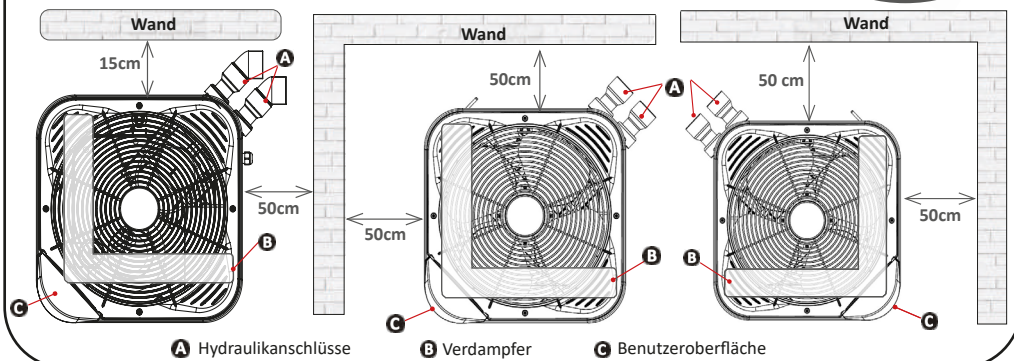
Obere Abdeckung und Benutzeroberfläche drehen, falls erforderlich



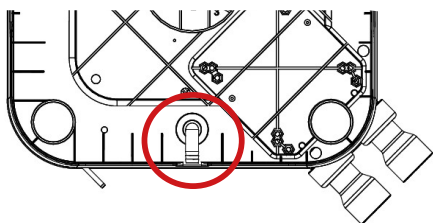
VORSICHT: Die Display-Platine (unter dem Display) ist über ein Kabel mit der Steuerplatine im Inneren des Geräts verbunden. Bei der Handhabung der oberen Abdeckung vorsichtig vorgehen, um dieses Kabel nicht zu beschädigen.



Wahl des Standorts und der Hydraulikanschlüsse, die am besten zur Installationskonfiguration passen



Kondensatablauf Ein Rohr mit $\text{Ø}18 \text{ mm}$ am genuteten Winkelrohr anschließen, das unter dem Boden des Geräts zu montieren ist.



Weitere Einzelheiten zu Installationsvorkehrungen und Hydraulikanschlüssen sind im Online-Handbuch zu finden.

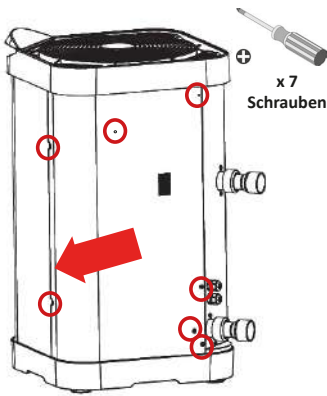


- Stromzufuhr trennen, bevor Arbeiten im Inneren des Geräts durchgeführt werden (Stromschlaggefahr). Bei der Trennung der Stromzufuhr ist darauf zu achten, dass von jedem potenziellen Arbeitsort aus überprüft werden kann, dass die Stromzufuhr getrennt bleibt. Wenn das nicht möglich ist, sollte die Stromzufuhr mit einer Verriegelung gegen Wiedereinschalten gesichert werden.
- Nur qualifizierte und erfahrene Techniker sind befugt, Arbeiten an der Verkabelung des Geräts vorzunehmen oder das Netzkabel auszutauschen.
- Es ist sicherzustellen, dass die Klemmschrauben fest angezogen sind (Brandgefahr). Nicht ordnungsgemäß angezogene Klemmschrauben führen zum Erlöschen der Gewährleistung.
- Stromzufuhr nicht unterbrechen, wenn das Gerät in Betrieb ist. Bei einer Unterbrechung der Stromversorgung muss eine Minute gewartet werden, bevor der Strom wieder eingeschaltet wird.

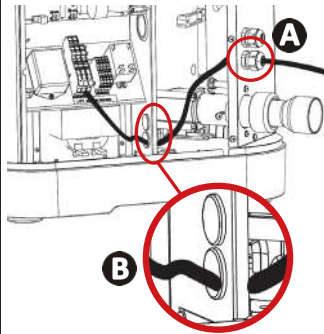


Anschließen des Geräts an die Stromversorgung und an Optionen

1 Lösen und abnehmen.

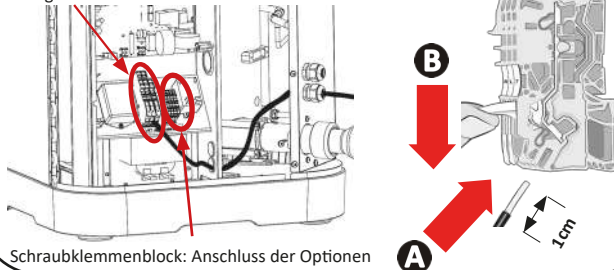


2 Netzkabel durchführen.



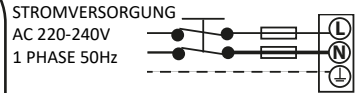
3 Netzkabel anschließen. Zum Anschluss von Optionen: Die Kabel nicht durch dieselbe Kabeldurchführung führen wie das Netzkabel.

Zugfederklemmenblock: Anschluss des Netzkabels



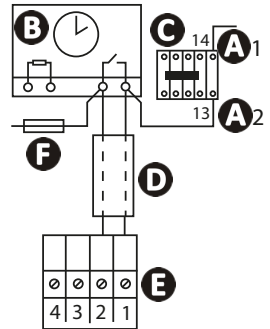
Schraubklemmenblock: Anschluss der Optionen

Anschluss an die Stromversorgung



— träge Sicherung

Anschluss Heizungsriorität



A1 - A2: Schutzspule der Filterpumpe

B: Zeitschaltuhr für die Filtration

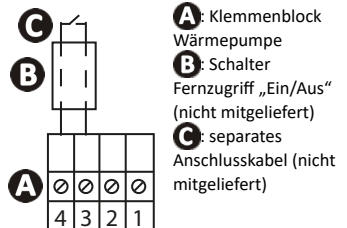
C: Lastschütz (drei- oder zweipolig für Filterpumpe)

D: separates Kabel für die Funktion „Heizungspriorität“ (nicht mitgeliefert)

E: Klemmenblock Wärmepumpe

F: Sicherung

Anschluss Fernzugriff „EIN/AUS“



A: Klemmenblock Wärmepumpe

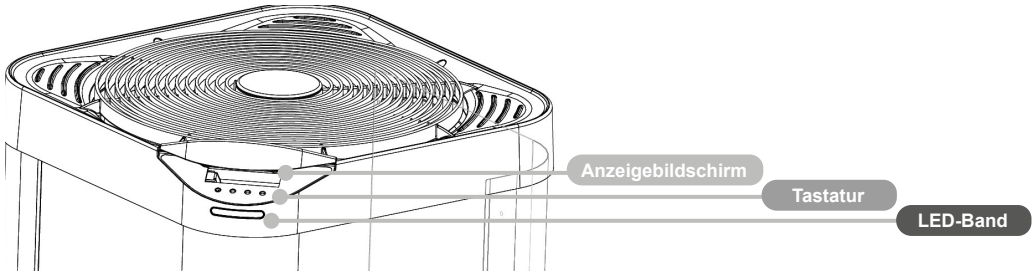
B: Schalter Fernzugriff „Ein/Aus“ (nicht mitgeliefert)

C: separates Anschlusskabel (nicht mitgeliefert)

Verdrahtung und Schutz

Modell	Stromzufuhr	Max. Strom	Kabeldurchmesser*	Thermisch-magnetischer Schutz
MD4	220 - 240V 1-phasig 50 Hz	9,1	<ul style="list-style-type: none"> • Typ H07RN-F • Durchmesser: zwischen 13 und 18 mm • Min. Kabelquerschnitt: - Stromversorgungskabel: 3 x 2,5 mm² - Optionskabel: 2 x 0,75 mm² 	Kurve C oder D 30 mA
MD5		10,8		
MD6		13,5		

*Kabelquerschnitt geeignet für max. 20 Meter Länge.



Anzeigebildschirm



3 Modi:

- BOOST
- SMART
- SILENCE

Gemessene
Wassertemperatur

LED-Band

(standardmäßig beleuchtet)
Ausschalten siehe S. 4

Grün - „Heizen“

- Die Wärmepumpe heizt das Wasser auf
- Temperatur-Sollwert erreicht

Blau - „Kühlen“

- Die Wärmepumpe kühlt das Wasser ab

Rot - „Fehler“

- Siehe Online-Handbuch

Tastatur



- Modus wechseln
- Menü öffnen (drücken und halten)
- Auswahl bestätigen



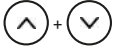
- Blättern
- Werte einstellen



- AN / AUS (drücken und halten)
- Zurück

Kontrollleuchten

	An	Blinkend	Aus
	Tastatur gesperrt	-	Tastatur aktiv
	Wasserdurchsatz OK	Wasserdurchsatz zu gering oder Null	-
	Zeigt den gewählten Modus an	-	-
	-	Lufttemperatur außerhalb des zulässigen Bereichs	Lufttemperatur im zulässigen Bereich
°C °F	Gewählte Temperatureinheit	-	-
	WLAN-Verbindung vorhanden	WLAN-Verbindung wird hergestellt	Keine WLAN-Verbindung vorhanden

**Tastatur sperren/entsperren**

3 Sekunden

**Automatische Tastensperre einstellen** (standardmäßig aktiviert)

Drücken und halten



Bis „P19“ erscheint



Bestätigen



AN (aktiviert) oder AUS (deaktiviert)



Bestätigen

**Temperatur-Sollwert einstellen**

Vom Hauptbildschirm aus drücken, um Wert einzustellen



Temperatur erhöhen oder absenken



Bestätigen (geschieht automatisch nach 30 Sekunden ohne Aktivität)

Empfohlene Temperatur: 28 °C
Max. Temperatur: 32 °C**Kühlmodus aktivieren/deaktivieren** (standardmäßig deaktiviert)

Die Aktivierung des Kühlmodus wird durch dreimaliges blaues Aufblinken bestätigt.



Lange drücken, bis „COOL“ auf dem Display erscheint



Bestätigen



AN (aktiviert) oder AUS (deaktiviert)



Bestätigen

**Heizmodus auswählen**

Die Wärmepumpe verfügt über 3 aktive Betriebsmodi, die eine Anpassung der Betriebsgeschwindigkeit an die benötigte Leistung und den gewählten Modus ermöglichen:

- BOOST-Modus
- SMART-Modus
- SILENCE-Modus

Vom Hauptbildschirm aus drücken:
Der Zeiger ► bleibt vor einem der 3 Modi stehen**LED-Band deaktivieren** (standardmäßig beleuchtet)

Vom Hauptbildschirm aus drücken und halten: auf dem Display erscheint „COOL“



auf dem Display erscheint „LED“



Bestätigen



AN (aktiviert) oder AUS (deaktiviert)



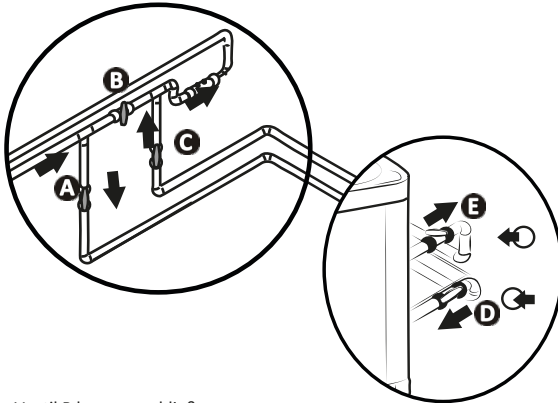
Bestätigen




Weitere Einzelheiten zu den Betriebsmodi und zum LED-Band sind im Online-Handbuch zu finden.



Hydraulikkreis öffnen



- Ventil B langsam schließen.
- Ventile A, C und D vollständig öffnen. Ventil E halb öffnen (die im Kondensator und im Filterkreislauf eingeschlossene Luft entweicht). Wenn die Ventile D und E nicht vorhanden sind, Ventil A vollständig öffnen und Ventil C halb schließen.
- Wärmepumpe an die Stromversorgung anschließen.
- Wenn sich die Pumpe in Standby befindet, 3 Sekunden lang die Taste  drücken. Der Startbildschirm erscheint 4 Sekunden lang, dann wird der Hauptbildschirm angezeigt. Ein 2-Minuten-Timer wird gestartet.
- Gewünschte Temperatur einstellen.



Mit der iAqualink+ App verbinden



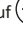
Über die iAqualink+™ App kann die Wärmepumpe per Fernzugriff mit einem Smartphone oder Tablet gesteuert werden (für iOS und Android erhältlich). Vor Herstellung einer Verbindung mit der iAqualink+™ Folgendes beachten:

- WLAN-fähiges Smartphone oder Tablet verwenden.
- Das WLAN-Netzwerk muss ein ausreichend starkes Signal haben, um eine Verbindung zur Wärmepumpe herzustellen. Das WLAN-Signal muss an dem Ort empfangbar sein, an dem das Gerät eingesetzt wird. Andernfalls ist eine technische Lösung zur Verstärkung des vorhandenen Signals erforderlich.
- In die Nähe des Geräts begeben und WLAN-Passwort bereithalten.

iAqualink+™ App
herunterladen



Auf dem Display
erscheint „bLE“

Auf dem Mobilgerät
auf  tippen, um
das Gerät hinzuzufügen

Einen Namen für
das Gerät angeben



Einwinterung

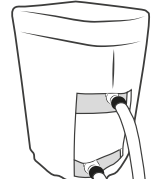


Drücken und halten,
um das Gerät
auszuschalten

Stromversorgung
trennen

Ventile A und C
schließen. Ventile D
und E öffnen (falls
vorhanden)

Wasser aus dem
Kondensator
ablassen, damit
es nicht einfrieren
kann



Mikrobelüftete Schutzhülle
für die Einwinterung über die
Wärmepumpe legen

- Im Falle einer vollständigen Einwinterung des Schwimmbeckens (vollständige Abschaltung der Filteranlage, Entleerung des Filterkreislaufs, evt. Entleerung des Schwimmbeckens): die beiden Anschlüsse wieder um eine Umdrehung anziehen, um zu verhindern, dass Fremdkörper in den Kondensator eindringen.
- Im Falle einer Einwinterung nur der Wärmepumpe (nur Abschaltung der Heizung, die Filtration läuft weiter): die Anschlüsse nicht festziehen, sondern 2 Stopfen (mitgeliefert) am Wasserzu- und -rücklauf des Kondensators anbringen.
- Die mitgelieferte mikrobelüftete Schutzhülle für die Einwinterung über die Wärmepumpe legen und die Hydraulikanschlüsse durch die dafür vorgesehene Öffnung nach oben führen. Es ist nicht notwendig, die hydraulischen und elektrischen Anschlüsse zu trennen.



- Das Einwintern ist unerlässlich, um Frostschäden am Kondensator zu vermeiden (Frostschäden aufgrund unterlassener Einwinterung fallen nicht unter die Gewährleistung).
- Um zu verhindern, dass das Gerät durch Kondensate beschädigt wird, darf es nicht luftdicht abgedeckt werden. Stattdessen die mitgelieferte Hülle für die Einwinterung verwenden.



Wartung

- Darauf achten, dass das Lüftungsgitter nicht durch Fremdkörper verstopft wird.
- Den Verdampfer mit einem weichen Pinsel und einem klaren Wasserstrahl reinigen (Netzkabel ausstecken).
- Die Kondensatablaufleitung reinigen, um Verunreinigungen, die es verstopfen könnten, zu entfernen.
- Sicherstellen, dass das Lüftungsgitter des Schaltkastens sauber ist.
- Keinen Hochdruckreiniger verwenden. Kein Regenwasser und kein salziges oder mineralhaltiges Wasser für die Reinigung des Gerätes verwenden.
- Gerät von außen reinigen, keine Produkte auf Basis von Lösungsmitteln verwenden. Ein spezielles Reinigungsset ist als Zubehör erhältlich: das PAC NET.




- Stromzufuhr nicht unterbrechen, wenn das Gerät in Betrieb ist. Bei einer Unterbrechung der Stromversorgung eine Minute lang warten, bevor der Strom wieder eingeschaltet wird.
- Vor der Durchführung von Wartungsarbeiten, Fehlerbehebungen oder Reparaturen wird empfohlen, die WLAN-Verbindung des Modems zu deaktivieren, um jegliches Risiko einer Fernsteuerung des Geräts zu ausschließen.
- Eine allgemeine Wartung des Geräts ist mindestens einmal pro Jahr empfehlenswert, um sicherzustellen, dass das Gerät einwandfrei funktioniert und seine Leistung aufrechterhält sowie um eventuellen Störungen vorzubeugen. Diese Arbeiten sind auf Kosten des Benutzers von einem Techniker ausführen zu lassen.







Weitere Einzelheiten zu den Sicherheitshinweisen in Bezug auf das Kältemittel R32 und zu den Wartungsarbeiten, die von einem qualifizierten Techniker durchgeführt werden müssen, sind im Online-Handbuch zu finden.



- Bevor Sie sich an den Fachhändler wenden, konsultieren Sie die folgende Tabelle. Sollte das Problem dadurch nicht gelöst werden, wenden Sie sich bitte an Ihren Fachhändler.
-  : Einem qualifizierten Techniker vorbehaltene Maßnahmen.

Verhaltensweisen des Gerätes

Das Gerät fängt nicht sofort an zu heizen	<ul style="list-style-type: none"> • Wenn der Wasserdurchsatz Null oder unzureichend ist, wird das Gerät gestoppt: Prüfen Sie, dass das Wasser korrekt im Gerät zirkuliert und dass die hydraulischen Anschlüsse korrekt ausgeführt wurden. • Das Gerät wird gestoppt, wenn die Außentemperatur unter -7°C sinkt.
Aus dem Gerät tritt Wasser aus	<ul style="list-style-type: none"> • Um zu prüfen, ob das Wasser aus einer Leckage des Schwimmbeckenkreislaufs am Gerät stammt, schalten Sie das Gerät aus und lassen Sie die Filterpumpe laufen, damit das Wasser im Gerät zirkuliert. Wenn weiterhin Wasser aus dem Kondensatablauf fließt, hat das Gerät eine Leckage. Wenden Sie sich bitte an Ihren Fachhändler.
Am Verdampfer hat sich Eis gebildet	<ul style="list-style-type: none"> • Das Gerät wird bald einen Abtauzyklus starten, um das Eis abzutauen. • Wenn es das Gerät nicht schafft, den Verdampfer abzutauen, schaltet es sich automatisch aus, weil die Außentemperatur zu niedrig ist (unter -7°C).
Das Gerät „raucht“	<ul style="list-style-type: none"> • Wenn das Gerät keinen Abtauzyklus ausführt, ist das nicht normal. Schalten Sie das Gerät unverzüglich aus, ziehen Sie den Netzstecker und wenden Sie sich an Ihren Fachhändler.
Das Gerät funktioniert nicht	<ul style="list-style-type: none"> •  Wenn nichts angezeigt wird, prüfen Sie die Versorgungsspannung und die Sicherung F1. • Wenn der Wasserdurchsatz Null oder unzureichend ist, wird das Gerät gestoppt: Prüfen Sie, dass das Wasser korrekt im Gerät zirkuliert.
Der Lüfter läuft, aber der Kompressor stoppt hin und wieder ohne Fehlermeldung	<ul style="list-style-type: none"> • Wenn die Außentemperatur niedrig ist, führt das Gerät Abtauzyklen durch. • Das Gerät schafft es nicht, genügend Wärmeenergie (Kalorien) aufzunehmen, weil sein Verdampfer verschmutzt ist. Reinigen Sie den Verdampfer, um die Leistung wiederherzustellen.
Das Gerät funktioniert, aber die Wassertemperatur steigt nicht	<ul style="list-style-type: none"> • Der Betriebsmodus ist nicht leistungsstark genug (Gerät ist im Betriebsmodus „SILENCE“ oder „SMART“). Wechseln Sie in die Betriebsart „BOOST“ und schalten Sie die Filterung manuell auf ganztägigen Dauerbetrieb, bis die Temperatur erreicht ist. • Prüfen Sie, dass das automatische Füllventil nicht in offener Stellung blockiert ist. Dadurch würde ständig kaltes Wasser ins Schwimmbecken fließen und einen Temperaturanstieg verhindern. • Der Wärmeverlust ist zu groß, denn die Luft ist zu kühl. Bedecken Sie das Schwimmbecken mit einer wärmeisolierenden Abdeckung. • Das Gerät schafft es nicht, genügend Wärmeenergie (Kalorien) aufzunehmen, weil sein Verdampfer verschmutzt ist. Reinigen Sie den Verdampfer, um die Leistung wiederherzustellen. •  Vergewissern Sie sich, dass das Gerät die richtige Größe für das Schwimmbecken und seine Umgebung hat.
Das Gerät löst den Schutzschalter aus	<ul style="list-style-type: none"> •  Prüfen Sie, ob der Schutzschalter korrekt ausgelegt ist und ob der verwendete Kabelquerschnitt korrekt ist. •  Die Spannung der Stromversorgung ist zu schwach. Wenden Sie sich an Ihren Stromversorger.



Weitere Einzelheiten zur Anzeige von Fehlercodes, das Verhalten der LEDs auf der Platine und die Schaltpläne sind im Online-Handbuch zu finden.



Wirkungsgrad: Lufttemperatur 28 °C / Wassertemperatur 28 °C / Luftfeuchtigkeit 80 %

		MD4	MD5	MD6
Leistungsabgabe (max. - min. Drehzahl)	kW	11 - 3,1	14 - 4,4	16 - 4,7
Leistungsaufnahme (max. - min. Drehzahl)	kW	1,9 - 0,3	2,6 - 0,5	3,2 - 0,5
Durchschnittliche Leistungszahl (max. - min. Drehzahl)		5,8 - 10,3	5,4 - 8,8	5 - 9,4

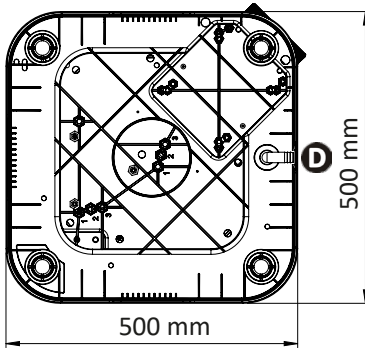
Technische Daten

Betriebstemperatur	Luft	Im Modus „Heizen“: von -7 bis 35 °C Im Modus „Kühlen“: von 10 bis 35 °C
	Wasser	von 15 bis 32 °C
Betriebsdruck	Kältemittel	von 2 bis 42 bar (von 0,2 bis 4,2 MPa)
	Wasser	von 0 bis 2 bar (von 0 bis 0,2 MPa)
Stromversorgung		220 - 240V ~ / 1-phasig / 50 Hz
Zulässige Spannungsabweichung		± 6 % (während des Betriebs)
Hydraulikanschlüsse		2 PVC-Rohrverbindungen Ø 40 2 PVC-Reduzierstücke Ø 40/50 2 PVC-Rohrverbindungen 45° Ø 50
Kältemitteltyp		R32
Schutzart		IP24
Frequenzbänder	GHz	2,400 - 2,497
Funkfrequenz-Sendeleistung	dBm	+19,5
Installationsort		Innen/Außen

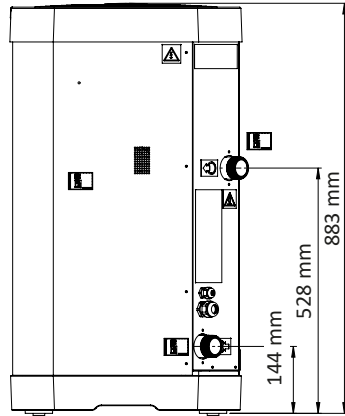
Technische Daten

		MD4	MD5	MD6
Nominale Stromaufnahme	A	8	10,1	12,3
Maximale Stromaufnahme	A	9,0	12,3	15,9
Minimaler Kabelquerschnitt*	mm ²	3x2,5	3x2,5	3x2,5
Schalleistung (max. - min.)	db(A)	70 - 64	71 - 63	73 - 65
Schalldruck in einer Entfernung von 10 m (max. - min.)	db(A)	39 - 33	40 - 32	42 - 34
Empfohlener Wasserdurchsatz	m ³ /h	3,4	4,2	5
Füllmenge Kältemittel	kg	0,7	0,85	0,95
	Tonne CO ₂ -Äq.	0,47	0,57	0,64
Ungefähres Gewicht	kg	41	46	47

* Richtwerte für eine maximale Länge von 20 Metern (Berechnungsgrundlage: NFC 15-100), müssen unbedingt entsprechend den Installationsbedingungen und den am Installationsort geltenden Normen geprüft und angepasst werden.



Unten



Rückseite

A	Technikklappe
B	Beckenwassereinlauf
C	Beckenwasserauslauf
D	Kondensatablauf

9 Symbole im Schaltplan



4.4 Schaltpläne

Symbol	Beschreibung	Symbol	Beschreibung
A1	Elektronische Regelungsplatine	FS	Strömungsschalter
A2	Displayplatine (MMI)	V1 - V2	Varistor
A4	Elektronikplatine des Kompressors	G/Y	Grün/Gelb
CM	Kompressor	BLK	Schwarz
EEV	Elektronisches Expansionsventil	BLU	Blau
F1 - F2	Sicherung	BRN	Braun
FAN	Lüftermotor	ORG	Orange
HP	Hochdruckschalter	PNK	Pink
ST1	Temperatursensor Wassereinlass	RED	Rot
ST2	Temperatursensor Umgebungsluft	GRY	Grau
ST3	Temperatursensor der Spule	BLK	Schwarz
ST4	Temperatursensor Flüssigkeitsleitung	VLT	Violett
ST5	Temperatursensor Abfluss	WHT	Weiß
4WV	4-Wege-Ventil	YEL	Gelb



Anhand dieser Tabelle können Sie die Schaltpläne auf der Rückseite des Schaltkastens lesen. Die Schaltpläne sind auch im Online-Handbuch verfügbar.



ADVERTENCIAS



Este manual contiene únicamente la información básica sobre las medidas de seguridad que se deben implementar durante la instalación, el mantenimiento y el arranque. El manual completo se puede leer y descargar como archivo PDF desde el sitio web: www.zodiac.com. Todos los trabajos de montaje, instalación eléctrica y mantenimiento deben ser realizados por personal cualificado y autorizado que haya leído atenta y completamente este manual. Nos reservamos el derecho de cambiar total o parcialmente las características de nuestros productos o el contenido de este documento sin previo aviso.



ADVERTENCIAS GENERALES

- El aparato está destinado a ser utilizado en piscinas y spas para un fin específico; no debe utilizarse para ningún otro fin que no sea aquel para el que fue diseñado.
- El incumplimiento de las advertencias puede causar daños graves al equipo de la piscina o provocar lesiones graves, incluso la muerte.
- El equipo no está previsto para el uso por personas (incluidos los niños) con capacidades físicas, sensoriales o mentales reducidas, o con falta de experiencia y conocimientos, a menos que una persona responsable de su seguridad les proporcione supervisión e instrucciones sobre el uso del equipo. Los niños deben permanecer bajo supervisión para garantizar que no jueguen con el equipo.
- Los niños mayores de 8 años y las personas con capacidades físicas, sensoriales o mentales reducidas, o con falta de experiencia y conocimientos, pueden utilizar el equipo si se les proporciona supervisión e instrucciones sobre el uso del equipo de forma segura y comprenden los riesgos asociados. Los niños no deben jugar con el equipo. Los niños no deben realizar la limpieza ni el mantenimiento sin supervisión.
- El aparato debe instalarse de acuerdo con las instrucciones del fabricante y de conformidad con las normativas locales y nacionales.
- Nuestros productos solo se pueden ensamblar e instalar en piscinas que cumplan con los estándares IEC/HD 60364-7-702 y las normas nacionales requeridas. La instalación debe seguir la norma IEC/HD 60364-7-702 y las normas nacionales requeridas para piscinas. Para obtener más información, póngase en contacto con su distribuidor local.



ADVERTENCIAS ASOCIADAS CON APARATOS ELÉCTRICOS

- La fuente de alimentación del aparato debe estar protegida por un Dispositivo de Corriente Residual (RCD) de 30 mA dedicado, que cumpla con las normas y reglamentos vigentes en el país en el que se instale.
- El equipo no incluye interruptor eléctrico para la desconexión; incluir un dispositivo de alimentación de desconexión en el cableado de fijación al menos OVC III, de acuerdo con las leyes nacionales aplicables.
- Si el cable de alimentación está dañado, debe ser reemplazado únicamente por el fabricante, un representante autorizado o un centro de reparación.



ADVERTENCIAS RELATIVAS A APARATOS QUE CONTIENEN REFRIGERANTE R32



- Este dispositivo contiene refrigerante R32, un refrigerante de clase A2L, que se considera potencialmente inflamable.
- No descargue líquido R32 a la atmósfera. Se trata de un gas fluorado de efecto invernadero, contemplado en el Protocolo de Kioto, con un Potencial de Calentamiento Global (GWP) = 675 (reglamento europeo UE 517/2014).
- Para cumplir con las normas y reglamentos aplicables en materia de medioambiente e instalación, en particular el decreto núm. 2015-1790 o el reglamento europeo UE 517/2014, se debe realizar una prueba de fugas en el circuito de refrigeración cuando el aparato se ponga en funcionamiento por primera vez y al menos una vez al año. Esta operación debe ser realizada por un especialista certificado para someter a prueba aparatos de refrigeración.
- El aparato debe almacenarse en una sala sin fuentes de ignición en funcionamiento continuo (por ejemplo: llamas abiertas, un aparato de gas en funcionamiento o un calentador eléctrico en funcionamiento).
- Para obtener más información, consulte las instrucciones de seguridad relativas a los aparatos que contengan gas R32 en la versión ampliada del manual, en la que se encuentran los campos área de comprobación, procedimiento de trabajo, área general de trabajo, comprobación de presencia de refrigerante, comprobación de presencia de extintor, no se especifica ninguna fuente de ignición, ventilación del área, comprobación del equipo de refrigerante, comprobación de componentes eléctricos, reparación de componentes aislados, reparación de componentes intrínsecos, cableado, detección de refrigerante inflamable, eliminación y descarga, procedimientos de carga y desmontaje.



INSTALACIÓN Y MANTENIMIENTO

- Solo una persona cualificada en los campos técnicos correspondientes (electricidad, hidráulica o refrigeración) está autorizada para realizar trabajos de instalación, mantenimiento o reparación en el aparato.
- El aparato no debe instalarse cerca de materiales combustibles ni de la entrada del conducto de aire de un edificio adyacente.
- Al realizar el mantenimiento del aparato, se debe comprobar la composición y el estado del líquido caloportador, así como la ausencia de restos de líquido refrigerante.
- Durante la prueba anual de estanqueidad del aparato de acuerdo con la legislación aplicable, se debe comprobar que los presostatos de alta y baja presión estén bien sujetos al circuito frigorífico y que corten el circuito eléctrico al actuar.
- Durante el trabajo de mantenimiento, asegúrese de que no haya rastros de corrosión o aceite alrededor de los componentes de refrigeración.
- Antes de comenzar a trabajar en el circuito de refrigeración, detenga el aparato y espere unos minutos antes de colocar los sensores de temperatura y presión. Algunos elementos como el compresor y las tuberías pueden alcanzar temperaturas superiores a los 100 °C y presiones elevadas con el consiguiente riesgo de quemaduras graves.



ADVERTENCIAS



ESPECIFICACIONES DEL REFRIGERANTE

Comprobación de área

- Este dispositivo contiene refrigerante R32, un refrigerante de clase A2L, que se considera potencialmente inflamable.
- No descargue líquido R32 a la atmósfera. Se trata de un gas fluorado de efecto invernadero, contemplado en el Protocolo de Kioto, con un Potencial de Calentamiento Global (GWP) = 675 (reglamento europeo UE 517/2014).
- Para cumplir con las normas y reglamentos aplicables en materia de medioambiente e instalación, en particular el decreto núm. 2015-1790 o el reglamento europeo UE 517/2014, se debe realizar una prueba de fugas en el circuito de refrigeración cuando el aparato se ponga en funcionamiento por primera vez y al menos una vez al año. Esta operación debe ser realizada por un especialista certificado para someter a prueba aparatos de refrigeración.
- El aparato debe almacenarse en una sala sin fuentes de ignición en funcionamiento continuo (por ejemplo: llamas abiertas, un aparato de gas en funcionamiento o un calentador eléctrico en funcionamiento).
- Para obtener más información, consulte las instrucciones de seguridad relativas a los aparatos que contengan gas R32 en la versión ampliada del manual, en la que se encuentran los campos área de comprobación, procedimiento de trabajo, área general de trabajo, comprobación de presencia de refrigerante, comprobación de presencia de extintor, no se especifica ninguna fuente de ignición, ventilación del área, comprobación del equipo de refrigerante, comprobación de componentes eléctricos, reparación de componentes aislados, reparación de componentes intrínsecos, cableado, detección de refrigerante inflamable, eliminación y descarga, procedimientos de carga y desmontaje.

Procedimiento de trabajo

- El trabajo se llevará a cabo bajo un procedimiento controlado para minimizar el riesgo de que un gas o vapor inflamable esté presente mientras se realiza.

Área general de trabajo

- Todo el personal de mantenimiento y otras personas que trabajen en el área local deberán recibir instrucciones sobre la naturaleza del trabajo que se está realizando. Se evitará el trabajo en espacios confinados.

Comprobación de la presencia de refrigerante

- El área debe revisarse con un detector de refrigerante apropiado antes y durante el trabajo, para garantizar que el técnico esté al tanto de las atmósferas potencialmente tóxicas o inflamables. Asegúrese de que el equipo de detección de fugas que se utiliza sea adecuado para su uso con todos los refrigerantes aplicables, es decir, que no genere chispas, esté adecuadamente sellado o sea intrínsecamente seguro.

Comprobación de la presencia de un extintor de incendios

- Si se va a realizar algún trabajo que involucre calor en el equipo de refrigeración o cualquier parte asociada, se debe tener a mano un equipo de extinción de incendios adecuado. Disponga de un extintor de incendios de polvo seco o CO2 junto al área de carga.

Sin fuente de ignición

- Ninguna persona que realice trabajos en relación con un sistema de refrigeración que implique exponer cualquier tubería deberá utilizar fuentes de ignición de tal manera que pueda generar riesgo de incendio o explosión. Todas las posibles fuentes de ignición, incluido fumar, deben mantenerse lo suficientemente lejos del lugar de instalación, reparación, desmontaje y eliminación, ya que es posible que se libere refrigerante al espacio circundante. Antes de que se lleve a cabo el trabajo, se debe inspeccionar el área alrededor del equipo para asegurarse de que no haya peligros inflamables o riesgos de ignición. Se mostrarán carteles de "Prohibido fumar".

Ventilación del área

- Antes de ingresar a la unidad de cualquier forma para realizar cualquier servicio requerido, asegúrese de que el área esté abierta y adecuadamente ventilada. Se debe mantener una ventilación adecuada, para permitir la dispersión segura de cualquier refrigerante que pueda liberarse de forma inadvertida a la atmósfera, mientras se realiza el mantenimiento de la unidad.



INFORMACIÓN DE RECICLAJE

- Póngase en contacto con su distribuidor para obtener información sobre reciclaje.

INFORMACIÓN DE PRODUCTO PARA PRODUCTOS CON CONECTIVIDAD (bajo la directiva RED)

Declaración de conformidad

Por la presente, Zodiac declara que el equipo de radio tipo Z350iQ cumple con la directiva 2014/53/UE. El texto completo de la Declaración de la UE de conformidad está disponible en la siguiente dirección: <https://www.zodiac-poolcare.com/>.

1 Instalación del aparato

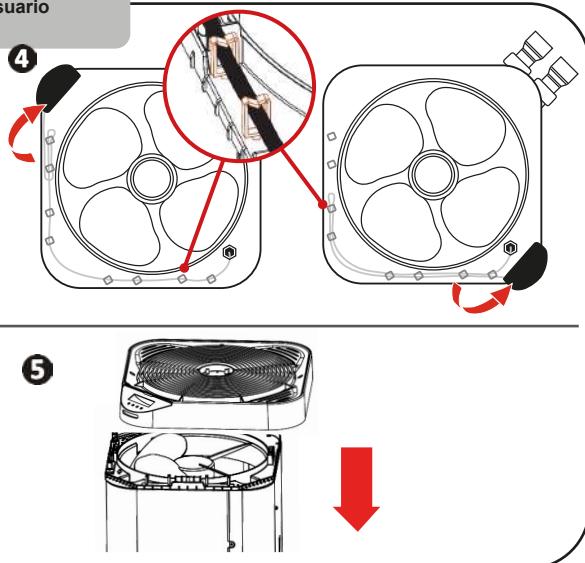
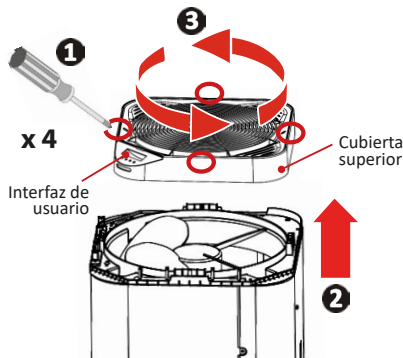


1 Instalación

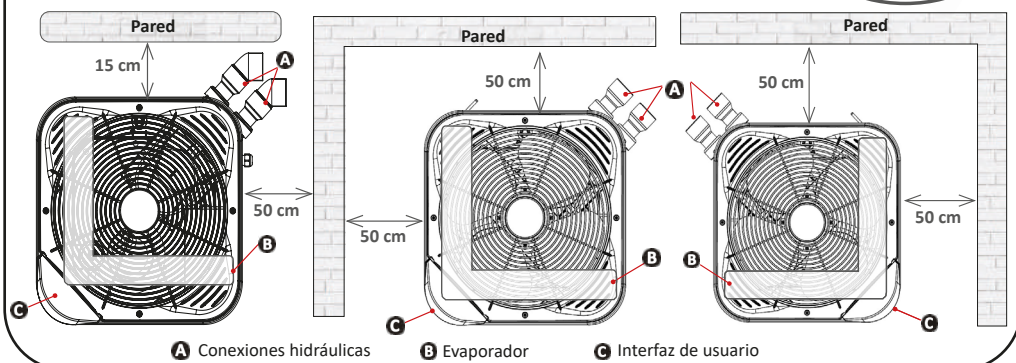
Girar la parte superior y la interfaz de usuario si es necesario



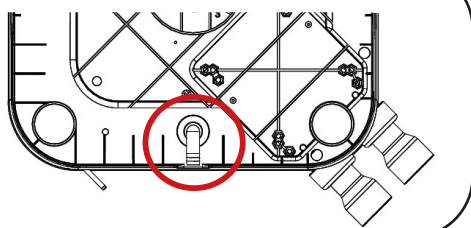
PRECAUCIÓN: El panel de visualización (debajo de la pantalla) está conectado mediante un cable a la placa de control dentro de la unidad. **Manipule la cubierta superior con cuidado para no dañar este cable.**



Elegir la ubicación y los conectores hidráulicos que mejor se adapten a la configuración de la instalación



Evacuar los condensados. Montar un tubo de Ø18 en el codo ranado que se va a montar bajo la base del aparato.



Consulte el manual en línea para obtener más detalles sobre las precauciones de instalación y las conexiones hidráulicas.

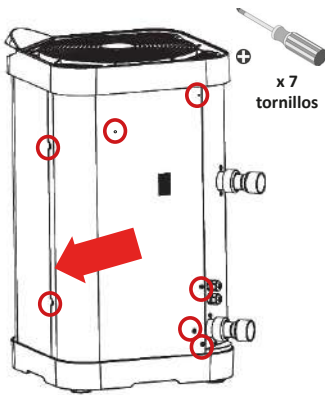


- Corte el suministro eléctrico antes de cualquier intervención en el interior del aparato (riesgo de descarga eléctrica). La retirada de la fuente de alimentación tiene que ser de modo que siempre pueda comprobar desde cualquiera de los puntos a los que tenga acceso que la fuente de alimentación permanece retirada. Si esto no es posible, debe proporcionar una desconexión con un sistema de bloqueo.
- Solo un técnico cualificado y experimentado está autorizado para realizar trabajos de cableado dentro del aparato o para reemplazar el cable de alimentación.
- Asegúrese de que los tornillos de los terminales estén totalmente apretados (riesgo de incendio). Los tornillos de los terminales que estén mal apretados cancelarán la garantía.
- No desconecte el suministro eléctrico cuando el aparato esté funcionando. Si se interrumpe la fuente de alimentación, espere un minuto para poder restablecer la alimentación.

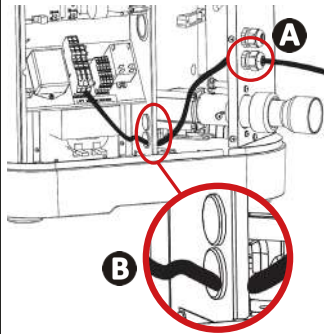


Conectar la unidad a la fuente de alimentación y las opciones

1 Abrir y quitar.

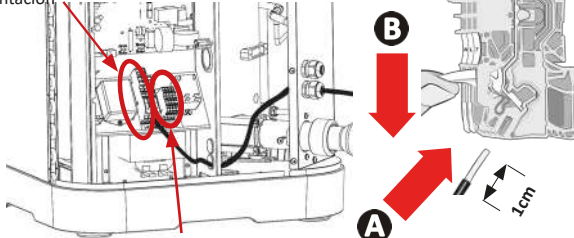


2 Pasar el cable de alimentación.



3 Conectar el cable de alimentación. Para conectar opciones, no pasar los cables por el mismo prensacables que el cable de alimentación.

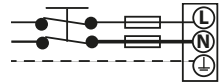
Bloque de terminales con resorte: conectar el cable de alimentación



Bloque de terminales de tornillo: conecte las opciones

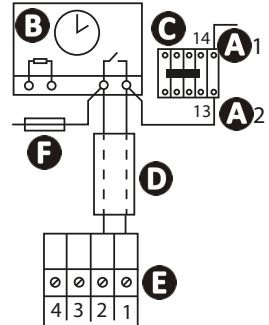
Conexión del suministro eléctrico

SUMINISTRO ELÉCTRICO CA
220-240 V
1 FASE 50 Hz



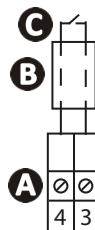
fusible retardado

Conexión de prioridad de calefacción



- A1 - A2:** alimentación para bobina del contacto de alimentación de bomba de filtración
- B:** temporizador de filtración
- C:** contacto de alimentación (tripolar o bipolar) para el motor de la bomba del sistema de filtración
- D:** cable separado para la función de "prioridad de calefacción" (no suministrado)
- E:** regleta de bornes de la bomba de calor
- F:** fusible

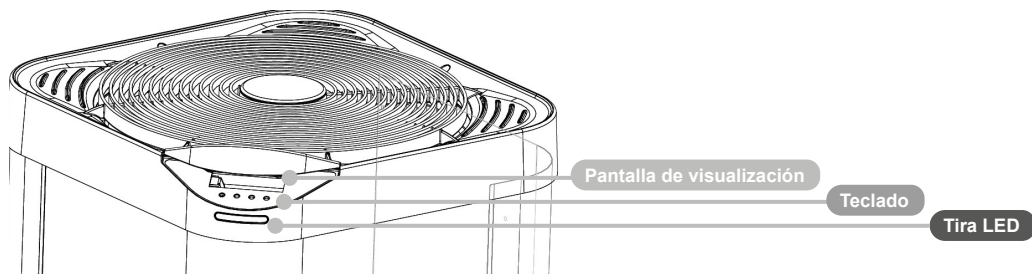
Conexión remota de "encendido/apagado"



- A:** regleta de bornes de la bomba de calor
- B:** interruptor remoto de "encendido/apagado" (no suministrado)
- C:** cable de conexión independiente (no suministrado)

Cableado y protección de cables

Modelo	Suministro de electricidad	Corriente máx.	Diámetro del cable*	Protección termomagnética
MD4	220-240 V 1 fase 50 Hz	9,1	<ul style="list-style-type: none"> • Tipo H07RN-F • Diámetro: entre 13 y 18 mm • Sección de cables mín.: — Para el cable de alimentación: 3 x 2,5 mm² — Para cable opcional: 2 x 0,75 mm² 	Curva C o D 30 mA
MD5		10,8		
MD6		13,5		



Pantalla de visualización



3 modos:

- MEJORA
- INTELIGENTE
- SILENCIO

Temperatura del agua medida

Tira LED (encendida de forma predeterminada)

Para apagarla, consulte la página 4

Verde: "calefacción"

- La bomba de calor está calentando el agua.
- Temperatura programada alcanzada

Azul: "refrigeración"

- La bomba de calor está enfriando el agua.

Rojo: "error"

- Consulte el manual en línea

Teclado



- Cambio de modo
- Acceso al menú (mantener pulsado)
- Validación (confirmar)



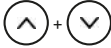
- Búsqueda
- Configuración de valores



- Encendido/Apagado (mantener pulsado)
- Volver/Atrás

Luces indicadoras

	Fijas	Intermitentes	Apagadas
	Teclado bloqueado	-	Teclado desbloqueado
	Flujo de agua correcto	Sin flujo de agua o es muy bajo	-
	Indica el modo seleccionado	-	-
	-	Temperatura del aire fuera del rango de funcionamiento	Temperatura del aire dentro del rango de funcionamiento
°C °F	Unidad de temperatura seleccionada	-	-
	Wifi conectado	Emparejamiento wifi en curso	Wifi no conectado

**Bloquear/
Desbloquear
el teclado**

3 segundos

**Establecer bloqueo automático** (habilitado de forma predeterminada)Mantener
pulsado

Hasta "P19"



Confirmar

Encendido (habilitado) u
apagado (deshabilitado)

Confirmar

**Ajustar la temperatura programada**Pulsar desde la pantalla
principal para ajustar el valorAumentar o disminuir la
temperaturaConfirmar (automático si
hay más de 30 segundos de
inactividad)**Temperatura
recomendada: 28 °C
Temperatura máxima: 32°****Activar/desactivar el modo Refrigeración** (deshabilitado de forma predeterminada)

La activación del modo Refrigeración se valida con 3 parpadeos azules sucesivos.

Mantener pulsado hasta
que la pantalla muestre
"REFRIGERAR"

Confirmar

ENCENDIDO (habilitado) o
APAGADO (deshabilitado)

Confirmar

**Seleccionar los modos de calefacción**La bomba de calor tiene 3 modos de funcionamiento activos
para ajustar la velocidad de funcionamiento a la potencia
que se requiere y al modo que se selecciona:

- Modo "MEJORA"
- Modo "INTELIGENTE"
- Modo "SILENCIO"

Pulsar en la pantalla
principal: el indicador ▶
se detiene frente a uno de
los 3 modos**Deshabilitar la tira LED** (encendida de forma predeterminada)Mantener pulsado en
la pantalla principal:
la pantalla muestra
"REFRIGERAR"La pantalla muestra
"LED"

Confirmar

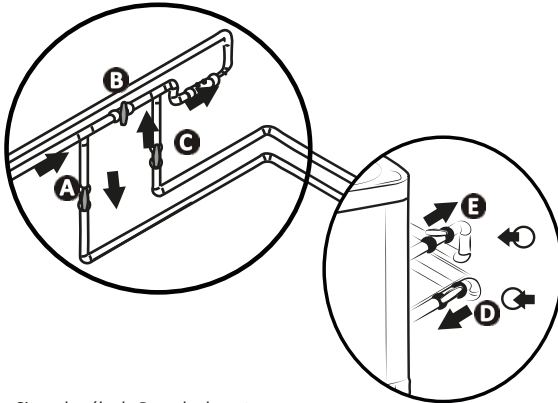
Encendido
(habilitado)
o apagado
(deshabilitado)

Confirmar


Consulte el manual en línea para
obtener más detalles sobre los modos de
funcionamiento y el comportamiento de
la tira LED.



Abrir el circuito hidráulico

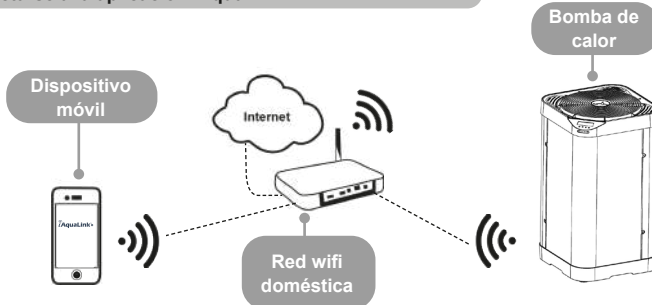


PRECAUCIÓN: Un ajuste de derivación incorrecto puede provocar un mal funcionamiento de la bomba de calor.

- Cierre la válvula B gradualmente.
- Abra completamente las válvulas A, C y D. Abra la válvula E a la mitad (se purgará el aire acumulado en el condensador y en el circuito de filtración). Si las válvulas D y E no están presentes, abra completamente la válvula A y cierre la válvula C a la mitad.
- Conecte la fuente de alimentación a la bomba de calor.
- Si la bomba de calor está en espera, pulse  durante 3 segundos; la pantalla de inicio aparece durante 4 segundos y luego se muestra la pantalla principal. Se iniciará un temporizador de 2 minutos.
- Establezca la temperatura deseada.



Conectarse a la aplicación iAquaLink+




La bomba de calor se puede controlar de forma remota desde un teléfono inteligente o tableta, a través de la aplicación iAquaLink+™ disponible para sistemas iOS y Android. Antes de conectarse a la aplicación iAquaLink+™, asegúrese de:

- Utilice un smartphone o una tableta con wifi habilitado.
- Utilice una red wifi con una señal razonablemente buena cuando se conecte a la bomba de calor: la señal wifi debe ser detectable en el lugar donde se utiliza el aparato. De no ser así, se deberá aportar una solución técnica para amplificar la señal existente.
- Quédese cerca del aparato y tenga a mano la contraseña de la red wifi doméstica.

Descargar la aplicación iAquaLink+™



La pantalla muestra "bLE"

Haga clic en  en el dispositivo móvil para añadir el aparato

Poner un nombre al aparato



Invernaje



Mantener pulsado para apagar el aparato

Desconectar la fuente de alimentación

Cerrar las válvulas A y C, y abrir las válvulas D y E (si las hay)

Drenar el agua del condensador para evitar cualquier riesgo de congelación.



Poner la microcubierta de invernaje

- En caso de invernaje total de la piscina (apagado completo del sistema de filtración, purga del circuito de filtración o incluso vaciado de la piscina): vuelva a montar los dos conectores dando una vuelta para evitar que entren cuerpos extraños en el condensador.
- En caso de invernaje únicamente de la bomba de calor (apagado solo de la calefacción, la filtración sigue funcionando): no apriete los conectores pero añada 2 tapones (suministrados) en las entradas y salidas de agua del condensador.
- Coloque la microcubierta de invernaje aireada (suministrada) sobre la bomba de calor pasando las conexiones hidráulicas hacia arriba por el orificio previsto para ello. No es necesario desconectar las conexiones hidráulicas y eléctricas.



- **El invernaje es vital para evitar que el condensador se rompa debido a la congelación (la congelación sin invernaje no está cubierta por la garantía).**
- Para evitar dañar el aparato con la condensación, no lo cubra por completo; utilice la cubierta de invernaje suministrada.



Mantenimiento

- Asegúrese de que la rejilla de ventilación no esté bloqueada por cuerpos extraños.
- Limpie el evaporador con un cepillo suave y un chorro de agua dulce (desconecte el cable de alimentación).
- Limpie el tubo de drenaje de condensados para eliminar cualquier impureza que pueda estar obstruyéndolo.
- Asegúrese de que la rejilla de ventilación de la caja de interruptores esté limpia.
- No utilice un chorro de alta presión. No rocíe con agua de lluvia, agua salada ni agua llena de minerales.
- Limpie el exterior del aparato; no utilice ningún producto con disolventes. Puede utilizar un kit de limpieza específico como accesorio: el PAC NET.




- **No desconecte el suministro eléctrico cuando el aparato esté funcionando. Si se interrumpe la fuente de alimentación, espere un minuto para poder restaurar la alimentación en el aparato.**
- **Antes de cualquier operación de mantenimiento, solución de problemas o reparación, se recomienda desactivar la conexión wifi del módem para evitar cualquier riesgo de control remoto del aparato.**
- **Se recomienda que el aparato se someta a un mantenimiento general al menos una vez al año para garantizar un funcionamiento adecuado, mantener los niveles de rendimiento y prevenir posibles fallos. Estas operaciones se deben llevar a cabo por un técnico a expensas del usuario.**







Consulte el manual en línea para obtener más detalles sobre las instrucciones de seguridad relativas al refrigerante R32 y las tareas de mantenimiento que debe realizar un técnico cualificado.



- Antes de ponerse en contacto con el distribuidor, realice estas sencillas comprobaciones en el caso de que se produzca un problema. Si el problema no se resuelve, póngase en contacto con su distribuidor.
-  : Acciones que debe realizar únicamente un técnico cualificado.

Funcionamiento del aparato

El aparato no empieza a calentar de forma inmediata	<ul style="list-style-type: none"> • Cuando el caudal de agua es cero o no es suficiente, el aparato se detiene: compruebe que el agua circula correctamente en el aparato y que las conexiones hidráulicas son correctas. • El aparato se detiene cuando la temperatura exterior desciende por debajo de -7°C.
El aparato está descargando agua.	<ul style="list-style-type: none"> • Para comprobar que el agua no provenga de una fuga en el circuito de la piscina del aparato, apáguelo y ponga en funcionamiento la bomba de filtración para hacer circular el agua en el aparato. Si el agua sigue fluyendo por los conductos de evacuación de condensados, significa que hay una fuga de agua en el aparato. Póngase en contacto con su distribuidor.
El evaporador está helado	<ul style="list-style-type: none"> • El aparato pronto cambiará a su ciclo de descongelación para derretir el hielo. • Si el aparato no logra descongelar el evaporador, se detendrá; esto significa que la temperatura exterior es demasiado baja (por debajo de -7°C).
El aparato expulsa humo	<ul style="list-style-type: none"> • Si el aparato no está en su ciclo de descongelación, esto no es normal. Apague y desconecte el aparato de forma inmediata y póngase en contacto con su distribuidor.
El aparato no funciona	<ul style="list-style-type: none"> •  Si no hay pantalla, compruebe la tensión de alimentación y el fusible F1. • Cuando el caudal de agua es cero o no es suficiente, el aparato se detiene: compruebe que el agua circula correctamente en el aparato.
El ventilador está funcionando pero el compresor se detiene cada cierto tiempo sin mensaje de error	<ul style="list-style-type: none"> • Si la temperatura exterior es baja, el aparato realizará ciclos de descongelación. • El aparato no puede capturar suficientes calorías, porque el evaporador está obstruido con suciedad. Límpielo para restaurar su funcionamiento.
El aparato funciona pero la temperatura del agua no aumenta	<ul style="list-style-type: none"> • El modo de funcionamiento no es lo suficientemente potente (aparato en modo "SILENCIO" o "INTELIGENTE"). Cambie al modo "MEJORA" y configure la filtración en manual 24/24 mientras aumenta la temperatura. • Compruebe que la válvula de llenado automático no esté atascada en posición abierta; esto mantendrá el suministro de agua fría a la piscina y evitará que suba la temperatura. • Hay demasiada pérdida de calor ya que el aire es frío. Instale una cubierta termoaislante en la piscina. • El aparato no puede capturar suficientes calorías, porque el evaporador está obstruido con suciedad. Límpielo para restaurar su funcionamiento. •  Compruebe que el aparato sea del tamaño adecuado para esta piscina y su entorno.
El aparato activa el disyuntor	<ul style="list-style-type: none"> •  Compruebe que el disyuntor esté correctamente dimensionado y que la sección del cable utilizado sea la correcta. •  La tensión de alimentación es demasiado baja; póngase en contacto con su proveedor de electricidad.



Consulte el manual en línea para obtener más detalles sobre la visualización de códigos de error, el funcionamiento de los LED en la placa de circuito de impresión y los diagramas de cableado.



Funcionamiento: aire a 28 °C/agua a 28 °C/humedad al 80 %

		MD4	MD5	MD6
Potencia de salida (velocidad máxima-mínima)	kW	11-3,1	14-4,4	16-4,7
Potencia consumida (velocidad máxima-mínima)	kW	1,9-0,3	2,6-0,5	3,2-0,5
COP medio (velocidad máxima-mínima)		5,8-10,3	5,4-8,8	5-9,4

Especificaciones técnicas

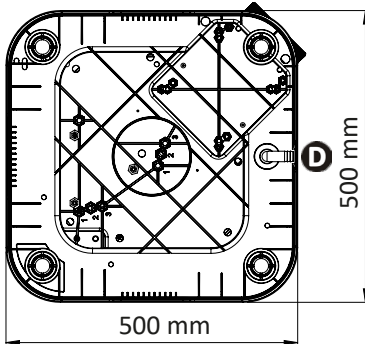
Temperatura de funcionamiento	Aire	En modo "calefacción": de -7 a 35 °C En modo "refrigeración": de 10 a 35 °C
	Agua	De 15 a 32 °C
Presión de funcionamiento	Refrigerante	De 2 a 42 bar (de 0,2 a 4,2 MPa)
	Agua	De 0 a 2 bar (de 0 a 0,2 MPa)
Fuente de alimentación		220-240 V ~ /1 fase/50 Hz
Variación de tensión admisible		±6 % (durante el funcionamiento)
Conexiones hidráulicas		2 uniones PVC Ø 40 2 reducciones PVC Ø 40/50 2 uniones PVC 45° Ø 50
Tipo de líquido refrigerante		R32
Grado de protección		IP24
Bandas de frecuencia	GHz	2,400-2,497
Potencia de emisión de radiofrecuencia	dBm	+19,5
Ubicación de la instalación		Interiores/Exteriores

Especificaciones técnicas

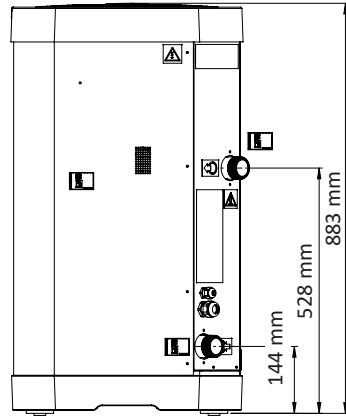
		MD4	MD5	MD6
Requisito de corriente eléctrica nominal	A	8	10,1	12,3
Requisito máximo de corriente eléctrica	A	9,0	12,3	15,9
Sección mínima de cable*	mm ²	3 x 2,5	3 x 2,5	3 x 2,5
Potencia de sonido (máxima-mínima)	db(A)	70-64	71-63	73-65
Presión de sonido a 10m (máxima-mínima)	db(A)	39-33	40-32	42-34
Flujo de agua recomendado	m ³ /h	3,4	4,2	5
Carga de líquido refrigerante	kg	0,7	0,85	0,95
	Tonn CO2 eq.	0,47	0,57	0,64
Peso aproximado	kg	41	46	47

* Valores facilitados a título informativo para una longitud máxima de 20 metros (base de cálculo: NFC15-100), debe comprobarse y adaptarse a las condiciones y normas de instalación del país donde se realiza la instalación.

Dimensiones



Parte inferior



Parte trasera

A	Puerta de acceso técnico
B	Entrada de agua de la piscina
C	Salida de agua de la piscina
D	Drenaje de condensados

9 Símbolos de diagramas de cableado



4.4 Diagramas de cableado

Símbolo	Descripción	Símbolo	Descripción
A1	Placa de regulación electrónica	FS	Interrupor de flujo
A2	Placa de visualización (HMI)	V1 - V2	Varistor
A4	Placa electrónica del compresor	G/Y	Verde/Amarillo
CM	Compresor	BLK	Negro
EEV	Válvula de expansión electrónica	BLU	Azul
F1 - F2	Fusible	BRN	Marrón
FAN	Motor del ventilador	ORG	Naranja
HP	Presostato de alta presión	PNK	Rosa
ST1	Sensor de temperatura de entrada de agua	RED	Rojo
ST2	Sensor de temperatura del aire ambiente	GRY	Gris
ST3	Sensor de temperatura de la bobina	BLK	Negro
ST4	Sensor de temperatura del tubo de líquido	VLT	Violeta
ST5	Sensor de temperatura de descarga	WHT	Blanco
4WV	Válvula de 4 vías	YEL	Amarillo



Consulte esta tabla para leer la etiqueta de los diagramas de cableado en la parte posterior de la caja eléctrica. Los diagramas de cableado también están disponibles en el manual en línea.



AVVERTENZE



Il presente manuale contiene solo informazioni di base sulle misure di sicurezza da adottare durante l'installazione, la manutenzione e l'avvio. Il manuale completo può essere letto e scaricato come file PDF dal sito web www.zodiac.com. Tutti i lavori di montaggio, installazione elettrica e manutenzione devono essere eseguiti da personale qualificato e autorizzato che abbia letto attentamente e integralmente il presente manuale. La società si riserva il diritto di modificare totalmente o parzialmente le caratteristiche dei prodotti o il contenuto di questo documento senza preavviso.



AVVERTENZE GENERALI

- L'apparecchio è destinato all'uso in piscine e Spa per uno scopo specifico; non deve essere utilizzato per alcuno scopo diverso da quello per cui è stato progettato.
- Il mancato rispetto delle avvertenze può causare seri danni alle apparecchiature della piscina o lesioni gravi, anche mortali.
- Il presente apparecchio non è destinato all'uso da parte di persone (compresi i bambini) con ridotte capacità fisiche, sensoriali o mentali o prive di esperienza e conoscenza, a meno che non siano state sottoposte a supervisione o formazione con riferimento all'uso dell'apparecchio da parte di una persona responsabile della loro sicurezza. I bambini devono essere sorvegliati per assicurarsi che non giochino con l'apparecchio.
- Questo apparecchio può essere utilizzato da bambini di età pari o superiore a 8 anni e da persone con capacità fisiche, sensoriali o mentali ridotte o prive di esperienza e conoscenza, se questi sono stati sottoposti a supervisione o formazione sull'uso dell'apparecchio in modo sicuro e se comprendono i pericoli coinvolti. I bambini non devono giocare con il presente apparecchio. La pulizia e la manutenzione dell'utente non devono essere eseguite da bambini senza supervisione.
- L'apparecchio deve essere installato secondo le istruzioni del produttore e nel rispetto delle normative locali e nazionali.
- I prodotti di nostra produzione possono essere montati e installati solo in piscine conformi alle norme IEC/HD 60364-7-702 e ai regolamenti nazionali vigenti. L'installazione deve rispettare la norma IEC/HD 60364-7-702 e i regolamenti nazionali vigenti per le piscine. Consultare il rivenditore locale per ulteriori informazioni.

AVVERTENZE RELATIVE AGLI APPARECCHI ELETTRICI

- L'alimentazione dell'apparecchio deve essere protetta da un apposito dispositivo di corrente residua (RCD) da 30 mA, conforme alle norme e ai regolamenti vigenti nel Paese in cui è installato.
- L'apparecchiatura non comprende un interruttore elettrico per lo spegnimento. Includere un dispositivo di disconnessione dell'alimentazione nel cablaggio di fissaggio di categoria minima OVC III, in conformità alle leggi nazionali applicabili.
- Se il cavo di alimentazione è danneggiato, deve essere sostituito esclusivamente dal produttore, da un rappresentante autorizzato o da un centro di riparazione.

AVVERTENZE RELATIVE AD APPARECCHI CONTENENTI REFRIGERANTE R32



- Questo dispositivo contiene refrigerante R32, un refrigerante di classe A2L, considerato potenzialmente infiammabile.
- Non scaricare il fluido R32 nell'atmosfera. Si tratta di un gas fluorurato ad effetto serra, coperto dal Protocollo di Kyoto, con un potenziale di riscaldamento globale (GWP) = 675 (regolamento europeo UE 517/2014).
- Al fine di ottemperare alle norme e ai regolamenti vigenti in materia ambientale e installazione in particolare il decreto n. 2015-1790 e/o il regolamento europeo UE 517/2014, è necessario eseguire una prova di tenuta sul circuito di raffreddamento quando l'apparecchio viene avviato e almeno una volta all'anno. Questa operazione deve essere eseguita da uno specialista certificato per testare gli apparecchi di raffreddamento.
- L'apparecchio deve essere conservato in un locale senza fonti di accensione in funzione continua (ad esempio: fiamme libere, un apparecchio a gas in funzione o un riscaldatore elettrico in funzione).
- Per ulteriori informazioni consultare le istruzioni di sicurezza relative agli apparecchi contenenti gas R32 nella versione estesa del manuale, in cui sono specificate le sezioni: Verifica dell'area, Procedura di lavoro, Area di lavoro generale, Verifica della presenza di refrigerante, Verifica della presenza dell'estintore, Nessuna fonte di accensione, Ventilazione dell'area, Verifica dell'apparecchiatura del refrigerante, Verifica dei componenti elettrici, Riparazione di componenti isolati, Riparazione di componenti intrinseci, Cablaggio, Rilevamento di refrigerante infiammabile, Rimozione e scarico e Procedure di caricamento e smontaggio.

INSTALLAZIONE E MANUTENZIONE

- Solo una persona qualificata nei settori tecnici interessati (elettricità, idraulica o refrigerazione) è autorizzata ad eseguire lavori di installazione, manutenzione o riparazione dell'apparecchio.
- L'apparecchio non può essere installato vicino a materiali combustibili o alla presa d'aria di un edificio adiacente.
- Durante la manutenzione dell'apparecchio è necessario verificare la composizione e lo stato del fluido termovettore, nonché l'assenza di tracce di liquido di raffreddamento.
- Durante la prova annuale di tenuta dell'apparecchio eseguita secondo la normativa vigente, i pressostati di alta e bassa pressione devono essere controllati per accertarsi che siano saldamente fissati al circuito di raffreddamento e che, in caso di intervento, interrompano il circuito elettrico.
- Durante i lavori di manutenzione assicurarsi che non vi siano tracce di corrosione o olio intorno ai componenti di raffreddamento.
- Prima di iniziare i lavori sul circuito di raffreddamento, fermare l'apparecchio e attendere alcuni minuti prima di installare i sensori di temperatura e pressione. Alcuni elementi come il compressore e le tubazioni possono raggiungere temperature superiori a 100 °C e pressioni elevate con conseguente rischio di gravi ustioni.



AVVERTENZE



SPECIFICHE DEL REFRIGERANTE

Verifica dell'area

- Questo dispositivo contiene refrigerante R32, un refrigerante di classe A2L, considerato potenzialmente infiammabile.
- Non scaricare il fluido R32 nell'atmosfera. Si tratta di un gas fluorurato ad effetto serra, coperto dal Protocollo di Kyoto, con un potenziale di riscaldamento globale (GWP) = 675 (regolamento europeo UE 517/2014).
- Al fine di ottemperare alle norme e ai regolamenti vigenti in materia ambientale e installazione in particolare il decreto n. 2015-1790 e/o il regolamento europeo UE 517/2014, è necessario eseguire una prova di tenuta sul circuito di raffreddamento quando l'apparecchio viene avviato e almeno una volta all'anno. Questa operazione deve essere eseguita da uno specialista certificato per testare gli apparecchi di raffreddamento.
- L'apparecchio deve essere conservato in un locale senza fonti di accensione in funzione continua (ad esempio: fiamme libere, un apparecchio a gas in funzione o un riscaldatore elettrico in funzione).
- Per ulteriori informazioni consultare le istruzioni di sicurezza relative agli apparecchi contenenti gas R32 nella versione estesa del manuale, in cui sono specificate le sezioni: Verifica dell'area, Procedura di lavoro, Area di lavoro generale, Verifica della presenza di refrigerante, Verifica della presenza dell'estintore, Nessuna fonte di accensione, Ventilazione dell'area, Verifica dell'apparecchiatura del refrigerante, Verifica dei componenti elettrici, Riparazione di componenti isolati, Riparazione di componenti intrinseci, Cablaggio, Rilevamento di refrigerante infiammabile, Rimozione e scarico e Procedure di caricamento e smontaggio.

Procedura di lavoro

- I lavori devono essere eseguiti secondo una procedura controllata in modo da ridurre al minimo il rischio di presenza di gas o vapori infiammabili durante la loro esecuzione.

Area di lavoro generale

- Tutto il personale addetto alla manutenzione e gli altri addetti che operano nell'area locale devono essere istruiti sulla natura del lavoro in corso. Il lavoro in spazi confinati deve essere evitato.

Verifica della presenza di refrigerante

- L'area deve essere controllata con un rilevatore di refrigerante appropriato prima e durante l'esecuzione del lavoro, per garantire che il tecnico sia a conoscenza di atmosfere potenzialmente tossiche o infiammabili. Assicurarsi che l'apparecchiatura di rilevamento delle perdite in questione sia idonea all'uso con tutti i refrigeranti applicabili, ovvero antiscintilla, adeguatamente sigillati o a sicurezza intrinseca.

Verifica della presenza dell'estintore

- Se devono essere eseguiti lavori che coinvolgono il calore sull'apparecchiatura di refrigerazione o su qualsiasi parte associata, devono essere disponibili attrezzature antincendio appropriate. Disporre di un estintore a polvere secca o CO2 adiacente all'area di ricarica.

Nessuna fonte di accensione

- Nessuna persona che esegue lavori in relazione a un sistema di refrigerazione che comporti l'esposizione di qualsiasi tubazione deve utilizzare eventuali fonti di accensione in modo tale che possa comportare il rischio di incendio o esplosione. Tutte le possibili fonti di accensione, compreso il fumo di sigaretta, devono essere mantenute sufficientemente lontane dal luogo di installazione, riparazione, rimozione e smaltimento e durante i processi che vi vengono eseguiti in cui il refrigerante può eventualmente essere rilasciato nello spazio circostante. Prima dell'inizio del lavoro, è necessario ispezionare l'area intorno all'apparecchiatura per assicurarsi che non vi siano pericoli di infiammabilità o rischi di accensione. Devono essere esposti i cartelli "Vietato fumare".

Ventilazione dell'area

- Prima di penetrare in qualsiasi modo nell'unità per eseguire qualsiasi servizio richiesto, assicurarsi che l'area sia aperta e adeguatamente ventilata. Durante l'esecuzione della manutenzione sull'unità, è necessario mantenere una ventilazione adeguata, per consentire la dispersione sicura di qualsiasi refrigerante che potrebbe essere rilasciato inavvertitamente nell'atmosfera.



INFORMAZIONI SUL RICICLO

- Contattare il rivenditore per informazioni sul riciclo.

INFORMAZIONI SUL PRODOTTO PER PRODOTTI CON CONNETTIVITÀ (in base alla direttiva RED)

Dichiarazione di conformità

Con la presente, Zodiac dichiara che l'apparecchiatura radio tipo Z350iQ è conforme alla direttiva 2014/53/UE. Il testo completo della Dichiarazione di conformità UE è disponibile al seguente indirizzo: <https://www.zodiac-poolcare.com/>.

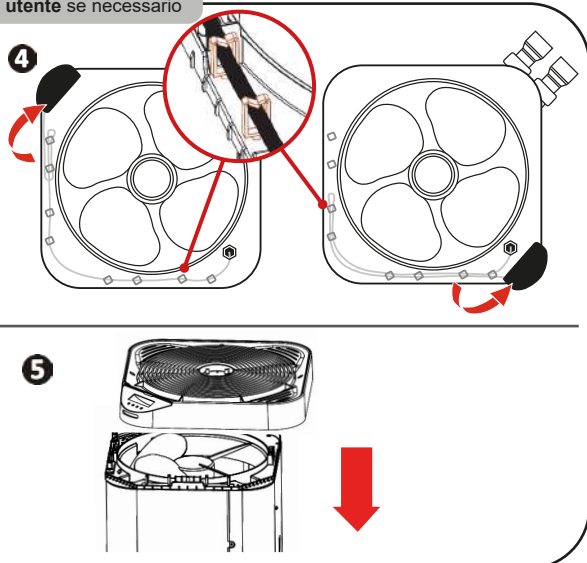
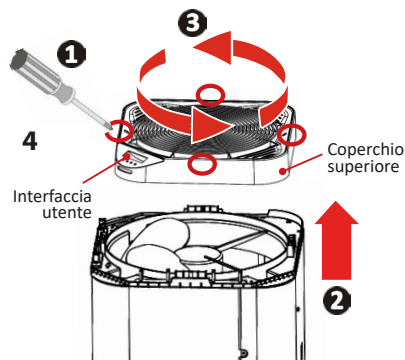
1 Installazione dell'apparecchio



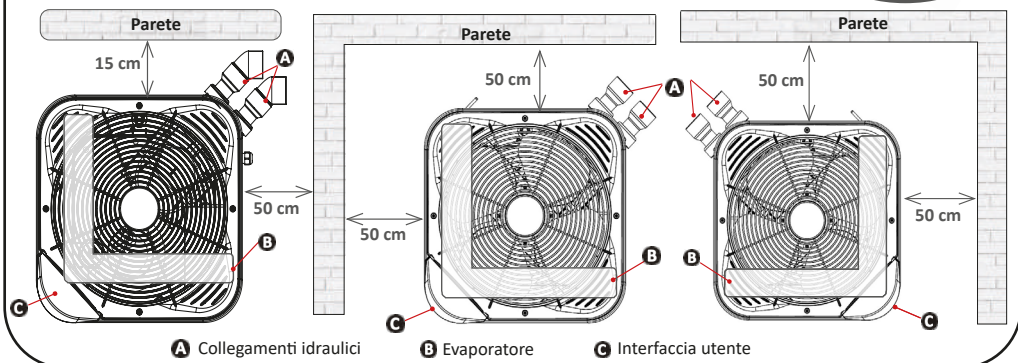
1
Installazione

Ruotare la parte superiore e l'interfaccia utente se necessario

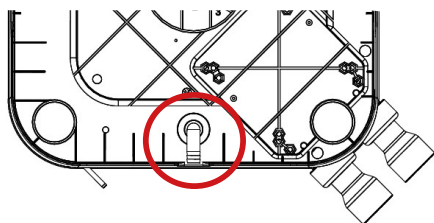
⚠ ATTENZIONE: la scheda del display (sotto lo schermo del display) è collegata tramite un cavo alla scheda di controllo all'interno dell'unità. **Maneggiare con cura il coperchio superiore per non danneggiare questo cavo.**



Scegliere la posizione e i connettori idraulici che meglio si adattano alla configurazione di installazione



Evacuare i condensati. Montare un tubo Ø 18 sulla curva scanalata da montare sotto la base dell'apparecchio.



Fare riferimento al manuale online per ulteriori dettagli sulle precauzioni di installazione e sui collegamenti idraulici.

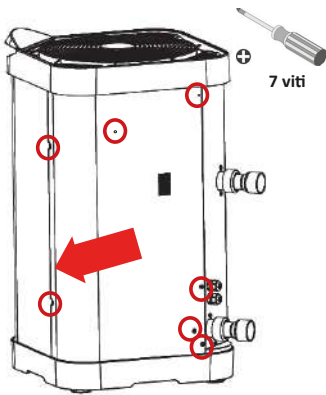


- Interrompere l'alimentazione elettrica prima di qualsiasi intervento all'interno dell'apparecchio (rischio di scossa elettrica). La rimozione dell'alimentatore deve essere tale da poter sempre controllare da qualsiasi punto a cui si ha accesso che l'alimentatore rimanga scollegato. Se ciò non è possibile, è necessario prevedere uno spegnimento con un sistema di chiusura.
- Solo un tecnico qualificato ed esperto è autorizzato a eseguire lavori di cablaggio all'interno dell'apparecchio o a sostituire il cavo di alimentazione.
- Assicurarsi che le viti dei morsetti siano completamente serrate (rischio di incendio). Viti dei morsetti serrate in modo errato annulleranno la garanzia.
- Non scollegare l'alimentazione elettrica quando l'apparecchio è in funzione. In caso di interruzione dell'alimentazione elettrica, attendere un minuto prima di ripristinare l'alimentazione.

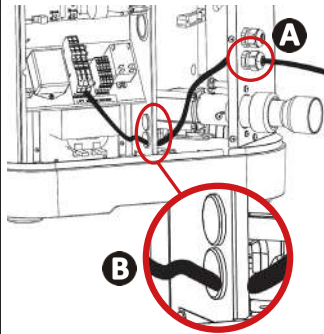


Collegare l'unità all'alimentazione e alle opzioni

1 Aprire e rimuovere.

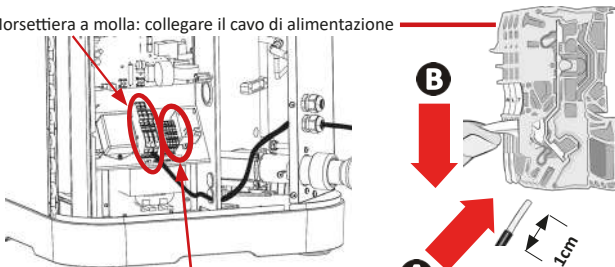


2 Passare il cavo di alimentazione.



3 Cablare il cavo di alimentazione. Per collegare le opzioni: non far passare i cavi attraverso lo stesso pressacavo del cavo di alimentazione.

Morsetteria a molla: collegare il cavo di alimentazione



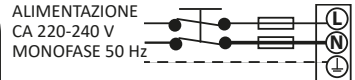
Morsetteria a vite: collegare le opzioni

Cablaggio e protezione dei cavi

Modello	Alimentazione elettrica	Corrente massima	Diametro del cavo*	Protezione magnetotermica
MD4	220 - 240 V Monofase 50 Hz	9,1	<ul style="list-style-type: none"> • Tipo H07RN-F • Diametro: tra 13 e 18 mm • Sezione min. del cavo: <ul style="list-style-type: none"> - per cavo di alimentazione: 3 da 2,5 mm² - per cavo opzionale: 2 da 0,75 mm² 	Curva C o D 30 mA
MD5		10,8		
MD6		13,5		

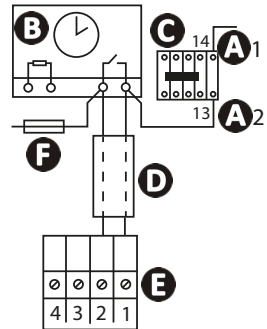
*Sezione del cavo adatta per una lunghezza massima di 20 metri.

Collegamento alimentazione



fusibile ritardato

Collegamento priorità riscaldamento



A1 - A2: alimentazione per la bobina del contatore di alimentazione della pompa di filtrazione

B: timer di filtrazione

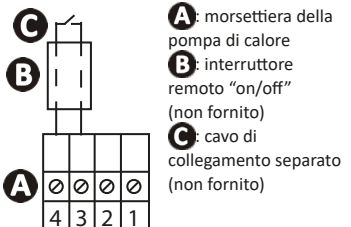
C: contattore di alimentazione (tripolare o bipolare) per il motore della pompa del sistema di filtrazione

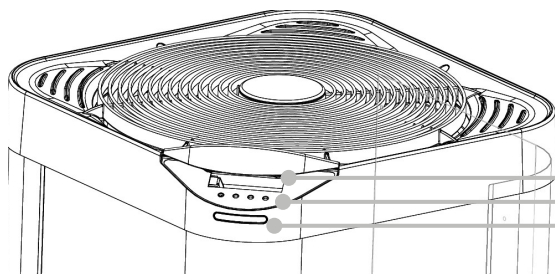
D: cavo separato per la funzione "priorità riscaldamento" (non fornito)

E: morsetteria della pompa di calore

F: fusibile

Connessione "ON/OFF" remota





Schermo del display

Tastiera del computer

Striscia LED

Schermo del display



3 modalità:

- BOOST
- SMART
- SILENZIOSO

Temperatura dell'acqua misurata

Striscia LED (accesa per impostazione predefinita)
Per spegnerla, consultare p.4

Verde: "Riscaldamento"

- La pompa di calore riscalda l'acqua
- Valore di riferimento della temperatura raggiunto

Blu: "Raffreddamento"

- La pompa di calore raffredda l'acqua

Rosso: "Errore"

- Consultare il manuale online

Tastiera del computer



- Cambio di modalità
- Accesso al menu (tenere premuto)
- Convalida (conferma)



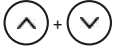
- Navigazione
- Impostazione dei valori



- ON/OFF (tenere premuto)
- Ritorno/Indietro

Indicatori luminosi

	Costante	Lampeggiante	Spento
	Tastiera bloccata	-	Tastiera sbloccata
	Flusso d'acqua ok	Flusso d'acqua troppo basso o assente	-
	Indica la modalità selezionata	-	-
	-	Temperatura dell'aria al di fuori del range di funzionamento	Temperatura dell'aria all'interno del range di funzionamento
°C °F	Unità di temperatura selezionata	-	-
	Connesso alla rete Wi-Fi	Associazione Wi-Fi in corso	Non connesso alla rete Wi-Fi

**Blocco/Sblocco della tastiera**

3 secondi

**Impostazione del blocco automatico** (abilitata per impostazione predefinita)

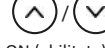
Tenere premuto



Fino a "P19"



Conferma

ON (abilitata) o
OFF (disabilitata)

Conferma

**Regolazione del valore di riferimento della temperatura**Premere dalla schermata
principale per regolare il
valoreAumentare o diminuire la
temperaturaConferma (automatica dopo
30 secondi di inattività)**Temperatura
consigliata:** 28 °C
Temperatura massima: 32 °C**Attivazione/Disattivazione della modalità Raffreddamento** (disabilitata per impostazione predefinita)

L'attivazione della modalità Raffreddamento è convalidata da 3 lampeggi blu successivi.

Premere a lungo fino a
quando lo schermo non
visualizza "FREDDO"

Conferma

ON (abilitata) o OFF
(disabilitata)

Conferma

**Selezione delle modalità di riscaldamento**La pompa di calore dispone di 3 modalità di funzionamento
attive per adeguare la propria velocità di funzionamento alla
potenza richiesta e alla modalità selezionata:

- Modalità "BOOST"
- Modalità "SMART"
- Modalità "SILENZIOSO"

Premere dalla schermata
principale:
l'indicatore ► si ferma a
una delle 3 modalità**Disabilitazione della striscia LED** (accesa per impostazione predefinita)Tenere premuto dalla
schermata principale:
lo schermo visualizza
"FREDDO"Lo schermo visualizza
"LED"

Conferma

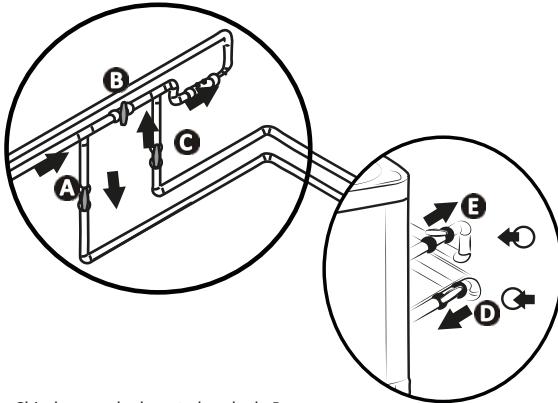
ON (abilitata) o OFF
(disabilitata)

Conferma


Fare riferimento al manuale online per
ulteriori dettagli sulle modalità operative
e sul comportamento delle strisce LED.



Aprire il circuito idraulico

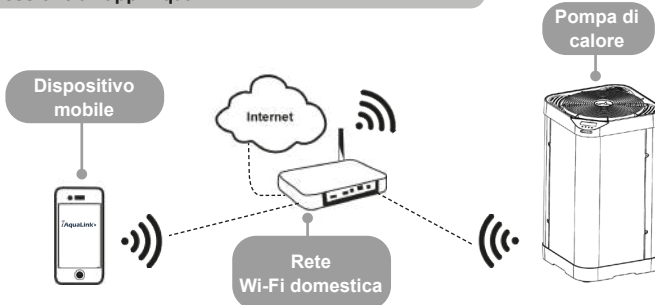


ATTENZIONE: un'errata impostazione del by-pass può causare il malfunzionamento della pompa di calore.

- Chiudere gradualmente la valvola B.
- Aprire completamente le valvole A, C e D. Aprire della metà la valvola E (l'aria che si accumula nel condensatore e nel circuito di filtrazione fuoriesce). Se le valvole D ed E non sono presenti, aprire la valvola A completamente e chiudere la valvola C a metà.
- Collegare l'alimentazione alla pompa di calore.
- Se la pompa di calore è in standby, premere  per 3 secondi; viene visualizzata la schermata iniziale per 4 secondi, quindi viene visualizzata la schermata principale. Viene quindi avviato un timer di 2 minuti.
- Impostare la temperatura desiderata.



Connessione all'app iAquaLink+




La pompa di calore può essere controllata a distanza da smartphone o tablet, tramite l'app iAquaLink+™ disponibile per sistemi iOS e Android. Prima della connessione all'app iAquaLink+™, assicurarsi di quanto segue:

- Utilizzare uno smartphone o un tablet abilitato alla connessione Wi-Fi.
- Utilizzare una rete Wi-Fi con un segnale abbastanza forte quando ci si connette alla pompa di calore: il segnale Wi-Fi deve essere rilevabile nel luogo in cui viene utilizzato l'apparecchio. In caso contrario, deve essere fornita una soluzione tecnica per amplificare il segnale esistente.
- Restare vicino all'apparecchio e tenere a portata di mano la password della rete Wi-Fi domestica.

Scaricare l'app iAquaLink+™



Lo schermo visualizza «bLE»

Fare clic su  sul dispositivo mobile per aggiungere l'apparecchio

Nominare l'apparecchio



Svernamento

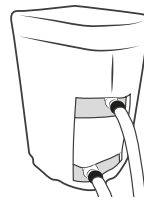


Tenere premuto per spegnere l'apparecchio

Scollegare l'alimentazione

Chiudere le valvole A e C e aprire le valvole D ed E (se presenti)

Scaricare l'acqua dal condensatore per evitare il rischio di congelamento



Mettere il microcoperchio di svernamento ventilato

- In caso di completo svernamento della piscina (arresto completo del sistema di filtrazione, spurgo del circuito di filtrazione o drenaggio della piscina): rimontare i due connettori di un giro per evitare che corpi estranei penetrino nel condensatore.
- In caso di svernamento per la sola pompa di calore (spegnimento del solo riscaldamento, la filtrazione continua a funzionare): non serrare i connettori ma aggiungere 2 tappi (forniti) sugli ingressi e sulle uscite dell'acqua del condensatore.
- Posizionare sulla pompa di calore il microcoperchio di svernamento ventilato (fornito) facendo passare gli attacchi idraulici verso l'alto attraverso l'apertura prevista per questo scopo. Non è necessario scollegare i collegamenti idraulici ed elettrici.



- **Lo svernamento è fondamentale per evitare la rottura del condensatore a causa del gelo (il congelamento senza svernamento non è coperto dalla garanzia).**
- **Per evitare di danneggiare l'apparecchio con la condensa, non scavarlo completamente; utilizzare lo speleologo per svernamento fornito.**



Manutenzione

- Assicurarsi che la griglia di ventilazione non sia ostruita da corpi estranei.
- Pulire l'evaporatore utilizzando una spazzola morbida e un getto d'acqua dolce (scollegare il cavo di alimentazione).
- Pulire la linea di scarico della condensa per rimuovere eventuali impurità che potrebbero bloccarla.
- Assicurarsi che la griglia di ventilazione del quadro elettrico sia pulita.
- Non utilizzare un getto ad alta pressione. Non spruzzare con acqua piovana, salata o piena di minerali.
- Pulire l'esterno dell'apparecchio; non utilizzare prodotti a base di solventi. Come accessorio è possibile utilizzare uno specifico kit di pulizia: il PAC NET.




- **Non scollegare l'alimentazione elettrica quando l'apparecchio è in funzione. In caso di interruzione dell'alimentazione elettrica, attendere un minuto prima di ripristinare l'alimentazione all'apparecchio.**
- **Prima di qualsiasi operazione di manutenzione, risoluzione dei problemi o riparazione, si consiglia di disattivare la connessione alla rete Wi-Fi del modem per evitare qualsiasi rischio di controllo remoto dell'apparecchio.**
- **Si raccomanda di sottoporre l'apparecchio a una manutenzione generale almeno su base annuale per garantirne il corretto funzionamento, mantenere i livelli di prestazione ed eventualmente prevenire alcuni guasti. Queste operazioni sono eseguite a spese dell'utente da un tecnico.**



Fare riferimento al manuale online per ulteriori dettagli sulle istruzioni di sicurezza relative al refrigerante R32 e le attività di manutenzione che devono essere eseguite da un tecnico qualificato.



- Prima di contattare il rivenditore, se si verifica un problema, effettuare questi pochi semplici controlli. Se il problema persiste, contattare il rivenditore.
- : azioni che devono essere eseguite solo da un tecnico qualificato.

Comportamento dell'apparecchio

L'apparecchio non inizia subito a riscaldarsi	<ul style="list-style-type: none"> • Quando la portata d'acqua è zero o non è sufficiente, l'apparecchio si ferma: verificare che l'acqua circoli correttamente nell'apparecchio e che i collegamenti idraulici siano corretti. • L'apparecchio si arresta quando la temperatura esterna scende al di sotto di -7 °C.
L'apparecchio scarica l'acqua	<ul style="list-style-type: none"> • Per verificare che l'acqua non provenga da una perdita nel circuito della piscina dell'apparecchio, spegnerlo e far funzionare la pompa del filtro per far circolare l'acqua nell'apparecchio. Se l'acqua continua a scorrere attraverso le tubazioni di scarico della condensa, è presente una perdita d'acqua nell'apparecchio: rivolgersi al proprio rivenditore.
L'evaporatore è ghiacciato	<ul style="list-style-type: none"> • L'apparecchio passerà presto al ciclo di sbrinamento per sciogliere il ghiaccio. • Se l'apparecchio non riesce a sbrinare il proprio evaporatore, si fermerà; ciò significa che la temperatura esterna è troppo bassa (inferiore a -7 °C).
L'apparecchio emette fumo	<ul style="list-style-type: none"> • Se l'apparecchio non è nel suo ciclo di sbrinamento, questa condizione non è normale. Spegnerlo e scollegare immediatamente l'apparecchio e contattare il proprio rivenditore.
L'apparecchio non funziona	<ul style="list-style-type: none"> •  Se non è presente il display, controllare la tensione di alimentazione e il fusibile F1. • Quando la portata d'acqua è zero o non è sufficiente, l'apparecchio si ferma. Verificare che l'acqua circoli correttamente nell'apparecchio.
La ventola è in funzione ma il compressore si arresta di tanto in tanto senza alcun messaggio di errore	<ul style="list-style-type: none"> • Se la temperatura esterna è bassa, l'apparecchio eseguirà cicli di sbrinamento. • L'apparecchio non è in grado di catturare abbastanza calorie poiché il suo evaporatore è intasato di sporco. Pulirlo per ripristinarne le prestazioni.
L'apparecchio funziona ma la temperatura dell'acqua non aumenta	<ul style="list-style-type: none"> • La modalità di funzionamento non è sufficientemente potente (apparecchio in modalità "SILENZIOSO" o "SMART"). Passare alla modalità "BOOST" e impostare la filtrazione su 24/24 manuale mentre la temperatura aumenta. • Verificare che il rubinetto di riempimento automatico non sia bloccato in posizione aperta; questo continuerà a fornire acqua fredda nella piscina e impedirà l'aumento della temperatura. • Si verifica troppa perdita di calore perché l'aria è fresca. Installare una copertura termoisolante sulla piscina. • L'apparecchio non è in grado di catturare abbastanza calorie poiché il suo evaporatore è intasato di sporco. Pulirlo per ripristinarne le prestazioni. •  Verificare che l'apparecchio sia della dimensione giusta per questa piscina e il suo ambiente.
L'apparecchio fa scattare l'interruttore	<ul style="list-style-type: none"> •  Verificare che l'interruttore sia correttamente dimensionato e che la sezione del cavo utilizzata sia corretta. •  La tensione di alimentazione è troppo bassa; contattare il proprio fornitore di energia elettrica.



Fare riferimento al manuale online per ulteriori dettagli sulla visualizzazione dei codici di errore, sul comportamento dei LED sulla scheda del circuito di stampa e sugli schemi elettrici.

**Prestazioni: aria a 28 °C/acqua a 28 °C/umidità all'80%**

		MD4	MD5	MD6
Potenza di uscita (velocità max-min)	kW	11 - 3,1	14 - 4,4	16 - 4,7
Energia consumata (velocità max-min)	kW	1,9 - 0,3	2,6 - 0,5	3,2 - 0,5
Coefficiente di prestazione COP (velocità max-min)		5,8 - 10,3	5,4 - 8,8	5 - 9,4

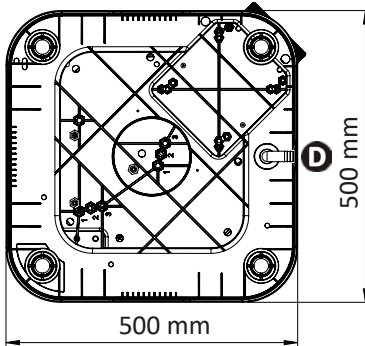
Specifiche tecniche

Temperatura di esercizio	Aria	In modalità "Riscaldamento": da -7 a 35 °C In modalità "Raffreddamento": da 10 a 35 °C
	Acqua	Da 15 a 32 °C
Pressione di esercizio	Refrigerante	Da 2 a 42 bar (da 0,2 a 4,2 MPa)
	Acqua	Da 0 a 2 bar (da 0 a 0,2 MPa)
Alimentazione elettrica		220 - 240 V~/Monofase/50 Hz
Variatione ammissibile di tensione		± 6 % (durante il funzionamento)
Collegamenti idraulici		2 raccordi in PVC Ø 40 2 riduzioni PVC Ø 40/50 2 raccordi in PVC 45° Ø 50
Tipo di fluido di raffreddamento		R32
Grado di protezione		IP24
Bande di frequenza	GHz	2,400 - 2,497
Potenza di emissione a radiofrequenza	dBm	+19,5
Luogo di installazione		Interno/Esterno

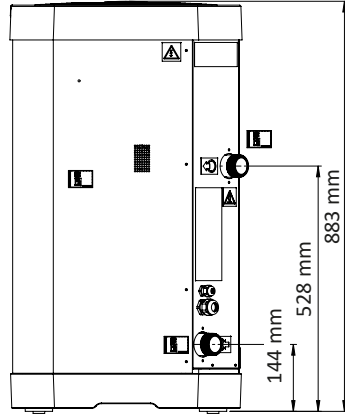
Specifiche tecniche

		MD4	MD5	MD6
Requisito di corrente elettrica nominale	A	8	10,1	12,3
Requisito di corrente elettrica massima	A	9,0	12,3	15,9
Sezione minima del cavo*	mm ²	3x2,5	3x2,5	3x2,5
Potenza sonora (max-min)	db(A)	70 - 64	71 - 63	73 - 65
Pressione sonora a 10 m (max-min)	db(A)	39 - 33	40 - 32	42 - 34
Flusso d'acqua consigliato	m ³ /h	3,4	4,2	5
Carico del fluido di raffreddamento	kg	0,7	0,85	0,95
	Tonnellate di CO2 eq.	0,47	0,57	0,64
Peso approssimato	kg	41	46	47

*Valori forniti a titolo informativo per una lunghezza massima di 20 metri (base di calcolo: NFC15-100); devono essere verificati e adattati alle condizioni e alle norme di installazione del Paese di installazione.



Parte inferiore



Parte posteriore

A

Porta di accesso tecnica

B

Ingresso dell'acqua della piscina

C

Uscita dell'acqua della piscina

D

Scarico condensa

9

Simboli degli schemi elettrici



4.4 Schemi elettrici

Simbolo	Descrizione	Simbolo	Descrizione
A1	Scheda di regolazione elettronica	FS	Flussostato
A2	Scheda del display (interfaccia uomo-macchina)	V1 - V2	Varistore
A4	Scheda elettronica del compressore	G/Y	Verde/Giallo
CM	Compressore	BLK	Nero
EEV	Valvola di espansione elettronica	BLU	Blu
F1 - F2	Fusibile	BRN	Marrone
FAN	Motore della ventola	ORG	Arancione
HP	Pressostato alta pressione	PNK	Rosa
ST1	Sensore temperatura ingresso acqua	RED	Rosso
ST2	Sensore di temperatura dell'aria ambiente	GRY	Grigio
ST3	Sensore di temperatura della bobina	BLK	Nero
ST4	Sensore di temperatura della linea del liquido	VLT	Viola
ST5	Sensore di temperatura di scarico	WHT	Bianco
4WV	Valvola a 4 vie	YEL	Giallo



Fare riferimento a questa tabella per leggere l'etichetta degli schemi elettrici sul retro della scatola elettrica. Gli schemi elettrici sono disponibili anche nel manuale online.



ADVERTÊNCIAS



Este manual contém apenas informação básica sobre medidas de segurança que devem ser adotadas durante a instalação, a manutenção e o arranque. O manual completo pode ser lido e descarregado como um ficheiro PDF a partir do website: www.zodiac.com. Todos os trabalhos de montagem, instalação elétrica e manutenção devem ser efetuados por pessoal qualificado e autorizado, que tenha lido este manual cuidadosa e completamente. Reservamo-nos o direito de alterar total ou parcialmente as características dos nossos produtos ou o conteúdo deste documento sem aviso prévio.



AVISOS GERAIS

- O aparelho destina-se a ser utilizado em piscinas e spas para um fim específico; não deve ser utilizado para qualquer outro fim que não aquele para o qual foi concebido.
- O não respeito pelos avisos pode causar danos graves no equipamento da piscina ou causar ferimentos graves, ou mesmo a morte.
- Este aparelho não se destina a ser usado por pessoas (incluindo crianças) com capacidades físicas, sensoriais ou mentais reduzidas, nem com falta de experiência e conhecimento, salvo se tiverem recebido supervisão ou instruções sobre o uso do aparelho por uma pessoa responsável pela sua segurança. As crianças devem ser supervisionadas para garantir que não brincam com o aparelho.
- Este aparelho pode ser usado por crianças a partir dos 8 anos e por pessoas com capacidades físicas, sensoriais ou mentais reduzidas ou falta de experiência ou conhecimento, se tiverem recebido supervisão ou instruções sobre o uso do aparelho de um modo seguro e compreenderem os perigos associados. As crianças não devem brincar com o aparelho. A limpeza e a manutenção pelo utilizador não devem ser efetuadas por crianças sem supervisão.
- O aparelho deve ser instalado de acordo com as instruções do fabricante e em conformidade com os regulamentos locais e nacionais.
- Os nossos produtos só podem ser montados e instalados em piscinas em conformidade com as normas IEC/HD 60364-7-702 e com as regras nacionais exigidas. A instalação deve seguir a norma IEC/HD 60364-7-702 e as regras nacionais requeridas para piscinas. Consulte o seu distribuidor local para obter mais informações.

ADVERTÊNCIAS ASSOCIADAS AOS APARELHOS ELÉTRICOS

- A alimentação elétrica do aparelho deve ser protegida por um Dispositivo de Corrente Residual (RCD) dedicado de 30 mA, em conformidade com as normas e regulamentos em vigor no país em que está instalado.
- O equipamento não inclui interruptor elétrico para desconexão; incluir um dispositivo de alimentação de desconexão na cablagem de fixação pelo menos OVC III, em conformidade com a legislação nacional aplicável.
- Se o cabo de alimentação ficar danificado, deve ser substituído pelo fabricante, por um representante autorizado ou apenas por uma instalação de reparação.

AVISOS RELATIVOS A APARELHOS CONTENDO REFRIGERANTE R32



- Este dispositivo contém refrigerante R32, um refrigerante de classe A2L, que é considerado potencialmente inflamável.
- Não descarregar fluido R32 para a atmosfera. Este é um gás fluorado com efeito de estufa, coberto pelo Protocolo de Quioto, com um Potencial de Aquecimento Global (PAG) = 675 (regulamento europeu UE 517/2014).
- A fim de cumprir as normas e regulamentos aplicáveis em termos de ambiente e instalação, em particular o Decreto n.º 2015-1790 e/ou regulamento europeu EU 517/2014, deve ser efetuado um teste de estanquidade no circuito de arrefecimento quando o aparelho é colocado em funcionamento pela primeira vez e pelo menos uma vez por ano. Esta operação deve ser realizada por um especialista certificado para testar aparelhos de arrefecimento.
- O aparelho deve ser armazenado numa sala sem fontes de ignição em funcionamento contínuo (por exemplo: chamas abertas, um aparelho a gás em funcionamento ou um aquecedor elétrico em funcionamento).
- Para mais informações, consultar as instruções de segurança relativas aos aparelhos que contêm gás R32 na versão alargada do manual, na qual são especificadas a verificação da área de campo, procedimento de trabalho, área de trabalho geral, verificação da presença de refrigerante, verificação da presença de um extintor de incêndio, ausência de fonte de ignição, ventilação da área, verificação do equipamento de refrigeração, verificação de componentes elétricos, reparação de componentes isolados, reparação de componentes intrínsecos, cablagem, deteção de refrigerante inflamável, remoção e descarga, procedimentos de carga e desmontagem.

INSTALAÇÃO E MANUTENÇÃO

- Apenas uma pessoa qualificada nos domínios técnicos em questão (eletricidade, hidráulica ou refrigeração) está autorizada a realizar trabalhos de instalação, manutenção ou reparação do aparelho.
- O aparelho não pode ser instalado perto de materiais combustíveis, ou da entrada de condutas de ar de um edifício adjacente.
- Durante a manutenção do aparelho, a composição e o estado do fluido de transferência de calor devem ser verificados, bem como a ausência de quaisquer vestígios de líquido de refrigeração.
- Durante o teste anual de vedação do aparelho, de acordo com a legislação aplicável, os interruptores de alta e baixa pressão devem ser verificados para garantir que estão firmemente presos ao circuito de arrefecimento e que cortam o circuito elétrico quando disparados.
- Durante os trabalhos de manutenção, garantir que não há vestígios de corrosão ou óleo à volta dos componentes de arrefecimento.
- Antes de iniciar os trabalhos no circuito de arrefecimento, parar o aparelho e esperar alguns minutos antes de instalar os sensores de temperatura e pressão. Alguns elementos como o compressor e a tubagem podem atingir temperaturas superiores a 100 °C e pressões elevadas com o consequente risco de queimaduras graves.



ADVERTÊNCIAS



ESPECIFICAÇÕES DO REFRIGERANTE

Verificação da área

- Este dispositivo contém refrigerante R32, um refrigerante de classe A2L, que é considerado potencialmente inflamável.
- Não descarregar fluido R32 para a atmosfera. Este é um gás fluorado com efeito de estufa, coberto pelo Protocolo de Quioto, com um Potencial de Aquecimento Global (PAG) = 675 (regulamento europeu UE 517/2014).
- A fim de cumprir as normas e regulamentos aplicáveis em termos de ambiente e instalação, em particular o Decreto n.º 2015-1790 e/ou regulamento europeu EU 517/2014, deve ser efetuado um teste de estanquidade no circuito de arrefecimento quando o aparelho é colocado em funcionamento pela primeira vez e pelo menos uma vez por ano. Esta operação deve ser realizada por um especialista certificado para testar aparelhos de arrefecimento.
- O aparelho deve ser armazenado numa sala sem fontes de ignição em funcionamento contínuo (por exemplo: chamas abertas, um aparelho a gás em funcionamento ou um aquecedor elétrico em funcionamento).
- Para mais informações, consultar as instruções de segurança relativas aos aparelhos que contêm gás R32 na versão alargada do manual, na qual são especificadas a verificação da área de campo, procedimento de trabalho, área de trabalho geral, verificação da presença de refrigerante, verificação da presença de um extintor de incêndio, ausência de fonte de ignição, ventilação da área, verificação do equipamento de refrigeração, verificação de componentes elétricos, reparação de componentes isolados, reparação de componentes intrínsecos, cablagem, deteção de refrigerante inflamável, remoção e descarga, procedimentos de carga e desmontagem.

Procedimento de trabalho

- Os trabalhos devem ser realizados sob um procedimento controlado de modo a minimizar o risco de presença de um gás ou vapor inflamável durante a realização dos trabalhos.

Área de trabalho geral

- Todo o pessoal de manutenção e outros que trabalham na área local serão instruídos sobre a natureza do trabalho que está a ser realizado. O trabalho em espaços confinados deve ser evitado.

Verificar a presença de refrigerante

- A área deve ser verificada com um detetor de refrigerante apropriado antes e durante o trabalho, para assegurar que o técnico está ciente de atmosferas potencialmente tóxicas ou inflamáveis. Assegurar que o equipamento de deteção de fugas utilizado é adequado para utilização com todos os refrigerantes aplicáveis, isto é, sem fugas, devidamente selado ou intrinsecamente seguro.

Verificar a presença de um extintor de incêndio

- Se qualquer trabalho que envolva calor tiver de ser realizado no equipamento frigorífico ou em quaisquer peças associadas, deverá estar disponível à mão equipamento de extinção de incêndios apropriado. Ter um pó seco ou CO₂, extintor de incêndio adjacente à área de carga.

Nenhuma fonte de ignição

- Nenhuma pessoa que realize trabalhos relacionados com um sistema de refrigeração que implique a exposição de qualquer trabalho de tubagem deve utilizar quaisquer fontes de ignição de tal forma que possa conduzir ao risco de incêndio ou explosão. Todas as fontes de ignição possíveis, incluindo o fumo de cigarros, devem ser mantidas suficientemente afastadas do local de instalação, reparação, remoção e eliminação, durante o qual o refrigerante pode eventualmente ser libertado para o espaço circundante. Antes da realização dos trabalhos, a área em redor do equipamento deve ser vigiada para garantir que não existem riscos de inflamabilidade ou de ignição. Devem ser afixados sinais de "Proibido fumar".

Ventilação da área

- Antes de penetrar na unidade de qualquer forma para realizar qualquer serviço necessário, assegurar que a área esteja aberta e adequadamente ventilada. A ventilação adequada, para permitir a dispersão segura de qualquer refrigerante que possa ser inadvertidamente libertado para a atmosfera, deve ser mantida enquanto o serviço está a ser executado na unidade.



INFORMAÇÃO SOBRE RECICLAGEM

- Contacte o seu retalhista para obter informações sobre reciclagem.

INFORMAÇÃO DE PRODUTOS PARA PRODUTOS COM CONETIVIDADE

(Segundo a Diretiva sobre as Energias Renováveis)

Declaração de conformidade

Por este meio, a Zodiac declara que o equipamento de rádio do tipo Z350iQ está em conformidade com a Diretiva 2014/53/UE. O texto completo da Declaração de conformidade da Eu encontra-se disponível no seguinte endereço: <https://www.zodiac-poolcare.com/>.

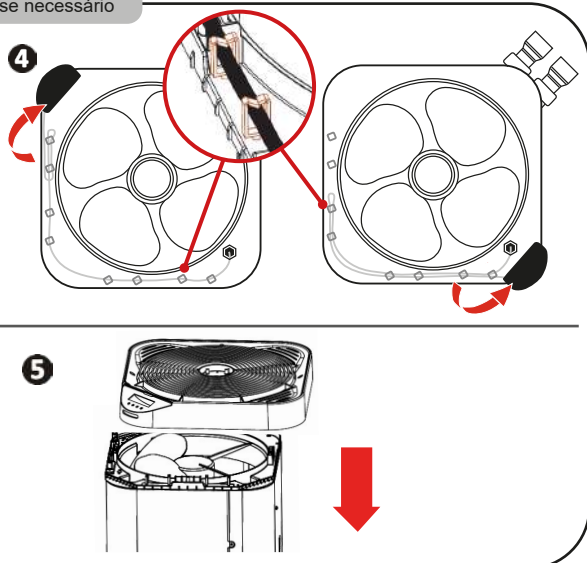
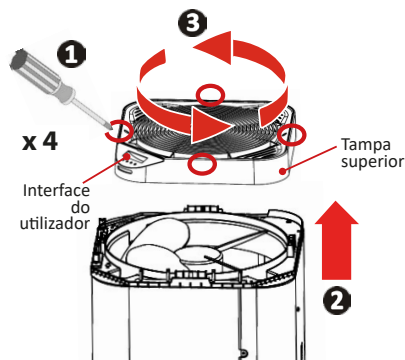
1 Instalar o aparelho



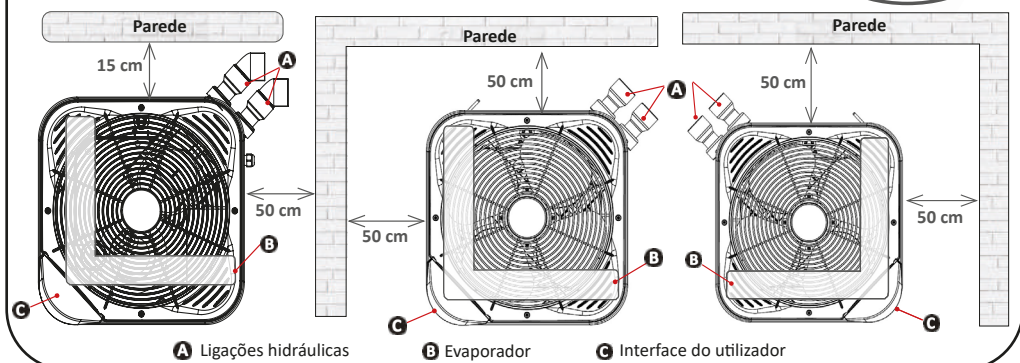
1 Instalação

Rodar o topo e a interface do utilizador, se necessário

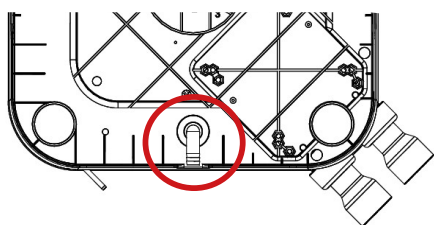
! CUIDADO: A placa de visualização (abaixo do ecrã de visualização) é ligada por um cabo à placa de controlo no interior da unidade. Manusear cuidadosamente a tampa superior para não danificar este cabo.



Escolher o local e os conetores hidráulicos que melhor se adaptam à configuração da instalação



Evacuar os condensados Colocar um tubo de Ø18 no cotovelo ranhurado para ser montado debaixo da base do aparelho.



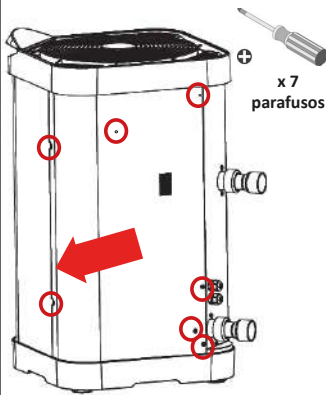
Consultar o manual online para mais detalhes sobre precauções de instalação e ligações hidráulicas.



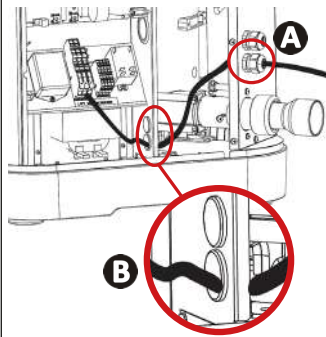
- Cortar o fornecimento de eletricidade antes de qualquer trabalho dentro do aparelho (risco de choque elétrico). A remoção da fonte de alimentação tem de ser tal que se possa sempre verificar a partir de qualquer um dos pontos a que se tem acesso que a fonte de alimentação permanece removida. Se tal não for possível, deverá fornecer uma desconexão com um sistema de bloqueio.
- Apenas um técnico qualificado e experiente está autorizado a realizar trabalhos de cablagem dentro do aparelho ou a substituir o cabo de alimentação.
- Certificar-se de que os parafusos dos terminais estão totalmente apertados (risco de incêndio). O aperto incorreto dos parafusos dos terminais irá cancelar a garantia.
- Não desligar o fornecimento de eletricidade quando o aparelho estiver em funcionamento. Se o fornecimento de energia elétrica for interrompido, aguarde um minuto antes de restaurar a energia.

Ligar a unidade à fonte de alimentação e às opções

1 Abrir e remover.

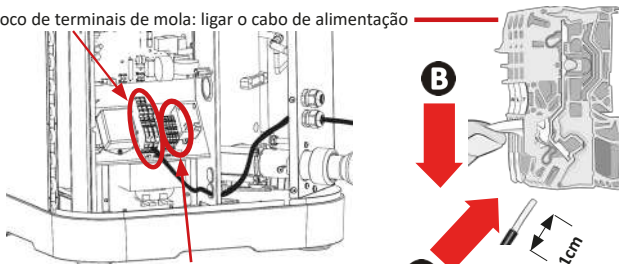


2 Passar o cabo de alimentação.



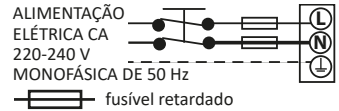
3 Ligar o cabo de alimentação. Para ligar opções: não passar os cabos através do mesmo buçim que o cabo de alimentação.

Bloco de terminais de mola: ligar o cabo de alimentação

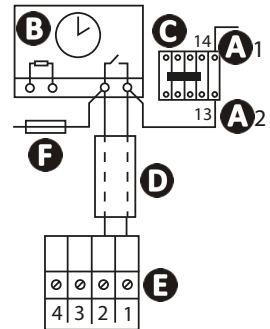


Bloco de terminais de parafuso: ligar as opções

Ligação de alimentação elétrica

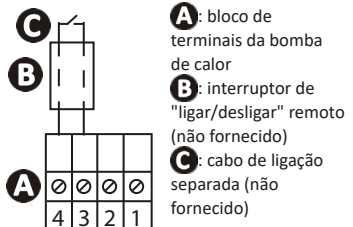


Ligação da prioridade de aquecimento



- A1 - A2:** bobine do contacto da bomba de filtração
B: temporizador de filtração
C: carga do contacto (tripolar ou bipolar para a bomba de filtração)
D: cabo separado para a função de "prioridade de aquecimento" (não fornecido)
E: bloco de terminais da bomba de calor
F: fusível

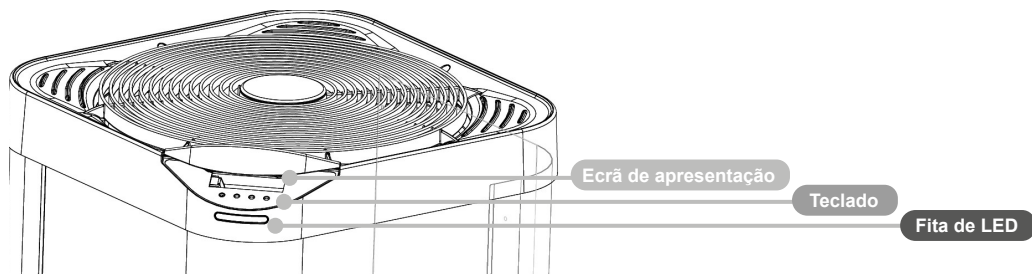
Ligação para "LIGAR/DESLIGAR" remoto



Cablagem e proteção de cabos

Modelo	Fornecimento de eletricidade	Corrente máxima	Diâmetro do cabo*	Proteção magnética térmica
MD4	220 - 240 V Monofásico 50 Hz	9,1	<ul style="list-style-type: none"> • Tipo H07RN-F • Diâmetro: entre 13 e 18 mm • Secção mín. de cabos: <ul style="list-style-type: none"> - para cabo de alimentação elétrica: 3x2,5 mm² - para cabo de opção: 2x0,75 mm² 	Curva C ou D 30 mA
MD5		10,8		
MD6		13,5		

60 *Cabos de secção transversal adequados para um comprimento máximo de 20 metros.



Ecrã de apresentação



3 modos:

- BOOST
- SMART
- SILENCE

Temperatura da água medida

Fita de LED

(acesa por predefinição)
Para desligar, ver a pág. 4

Verde - "Aquecimento"

- A bomba de calor está a aquecer a água
- Ponto de regulação de temperatura atingido

Azul - "Arrefecimento"

- A bomba de calor está a arrefecer a água

Vermelho - "Erro"

- Ver manual online

Teclado



- Mudança de modo
- Acesso ao menu (premir e manter)
- Validação (confirmar)



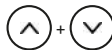
- Navegação
- Definição de valores



- LIGAR/DESLIGAR (premir e manter)
- Regressar/voltar

Luzes do indicador

	Estável	Intermitente	Desligado
	Teclado bloqueado	-	Teclado desbloqueado
	Caudal de água bom	Caudal de água demasiado baixo ou em falta	-
	Indica o modo selecionado	-	-
	-	Temperatura do ar fora do intervalo de funcionamento	Temperatura do ar dentro do intervalo de funcionamento
°C °F	Unidade de temperatura selecionada	-	-
	Wi-Fi ligado	Emparelhamento do Wi-Fi em curso	Wi-Fi desligado

**Bloquear/Desbloquear o teclado**

3 segundos

**Definir bloqueio automático** (ativado por predefinição)

Premir e manter



Até "P19"



Confirmar

ON (ativado) ou
OFF (desativado)

Confirmar

**Ajustar o ponto de ajuste da temperatura**

Premir a partir do ecrã principal para ajustar o valor



Aumentar ou diminuir a temperatura



Confirmar (automático se mais de 30 segundos de inatividade)

Temperatura recomendada: 28 °C
Temperatura máx: 32°**Ativar/desativar o modo de arrefecimento** (desativado por predefinição)

A ativação do modo Arrefecimento é validada por 3 intermitências azuis sucessivas.



Premir sem soltar até o ecrã apresentar "COOL"



Confirmar



ON (ativado) ou OFF (desativado)



Confirmar

**Selecionar os modos de Aquecimento**

A bomba de calor tem 3 modos de funcionamento ativos para ajustar a sua velocidade de funcionamento à potência necessária e ao modo que é selecionado:

- Modo "BOOST"
- Modo "SMART"
- Modo "SILENCE"

Premir a partir do ecrã principal:
o indicador ▶ para em frente de um dos 3 modos**Desativar a fita de LED** (acesa por predefinição)

Premir e manter a partir do ecrã principal: o ecrã apresenta "COOL"



o ecrã apresenta "LED"



Confirmar



ON (ativado) ou OFF (desativado)



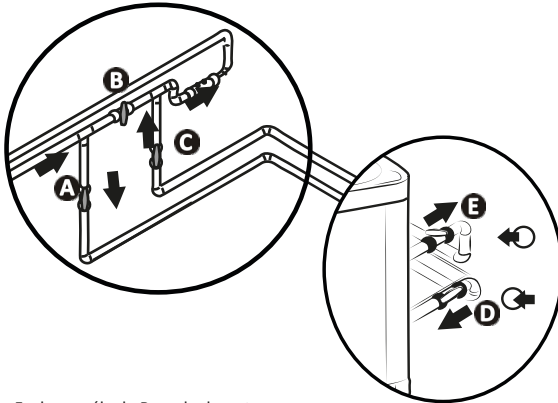
Confirmar




Consultar o manual online para mais detalhes sobre os modos de funcionamento e o comportamento das fitas LED.



Abrir o circuito hidráulico

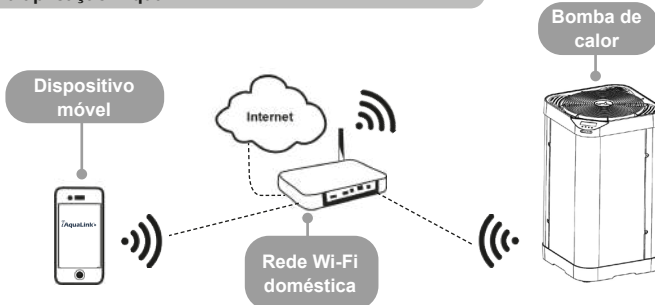


CUIDADO: Uma definição de desvio incorreta pode causar o mau funcionamento da bomba de calor.

- Fechar a válvula B gradualmente.
- Abrir completamente as válvulas A, C e D. Abrir a válvula E pela metade (o ar acumulado no condensador e o circuito de filtragem esvaziar-se-á). Se as válvulas D e E não estiverem presentes, abrir a válvula A totalmente e fechar a válvula C pela metade.
- Ligar a fonte de alimentação à bomba de calor.
- Se a bomba de calor estiver em modo de espera, premir  durante 3 segundos; o ecrã de proteção aparece durante 4 segundos e, em seguida, o ecrã principal é apresentado. Será iniciado um temporizador de 2 minutos.
- Ajustar a temperatura desejada.



Ligar à aplicação iAquaLink+



A bomba de calor pode ser controlada remotamente a partir de um smartphone ou tablet, através da aplicação iAqualink+™ disponível para os sistemas iOS e Android. Antes de ligar à aplicação iAqualink+™, garantir que o utilizador:


- Utiliza um smartphone ou tablet com Wi-Fi.
- Utiliza uma rede Wi-Fi com um sinal razoavelmente forte ao ligar à bomba de calor: o sinal Wi-Fi deve ser detetável no local onde o aparelho é utilizado. Se não for este o caso, deve ser fornecida uma solução técnica para amplificar o sinal existente.
- Descansa perto do aparelho e tem a respetiva palavra-passe da rede Wi-Fi doméstica no local onde está a ser utilizado.

Descarregar a aplicação iAqualink+™



Premir e manter

O ecrã apresenta «bLE»

Clicar em  no dispositivo móvel para adicionar o aparelho

Nomear o aparelho



Preparação para o inverno



Premir e manter premido para desligar o aparelho

Desligar a fonte de alimentação

Fechar as válvulas A e C e abrir as válvulas D e E (se presentes)

Drenar a água do condensador para evitar qualquer risco de congelamento



Colocar a micro cobertura arejada de preparação para o inverno

- No caso de preparação completa para o inverno para a piscina (paragem completa do sistema de filtração, purga do circuito de filtração ou mesmo drenagem da piscina): reajustar os dois conetores por uma volta para evitar que quaisquer corpos estranhos entrem no condensador.
- No caso de preparação para o inverno apenas para a bomba de calor (desligamento do aquecimento apenas, a filtração continua a funcionar): não aperte os conetores mas adicione 2 tampas (fornecidas) nas entradas e saídas de água do condensador.
- Colocar a micro cobertura arejada de preparação para o inverno (fornecida) na bomba de calor passando as ligações hidráulicas através da abertura prevista para o efeito. Não é necessário desligar as ligações hidráulicas e elétricas.



- A preparação para o inverno é vital para evitar que o condensador se parta devido ao congelamento (o congelamento sem preparação para o inverno não é coberto pela garantia).
- Para evitar danificar o aparelho com a condensação, não o cubra totalmente; utilize a cobertura de proteção para o inverno fornecida.



Manutenção

- Certificar-se de que a rede de ventilação não está bloqueada por nenhum corpo estranho.
- Limpar o evaporador utilizando uma escova macia e um pulverizador de água doce (desligar o cabo de alimentação).
- Limpar a linha de drenagem do condensado para remover quaisquer impurezas que o possam estar a bloquear.
- Certificar-se de que a rede de ventilação da caixa de interruptores está limpa.
- Não utilizar um jato de alta pressão. Não pulverizar com água da chuva, água salgada ou água que esteja cheia de minerais.
- Limpar o exterior do aparelho; não utilizar quaisquer produtos à base de solventes. Pode utilizar um kit de limpeza específico como acessório: o PAC NET.




- Não desligar o fornecimento de eletricidade quando o aparelho estiver em funcionamento. Se o fornecimento de energia elétrica for interrompido, aguarde um minuto antes de restaurar a energia do aparelho.
- Antes de qualquer operação de manutenção, resolução de problemas ou reparação, recomenda-se desativar a ligação Wi-Fi do modem para evitar qualquer risco de o aparelho ser controlado remotamente.
- Recomenda-se que o aparelho seja submetido a manutenção geral pelo menos uma vez por ano para garantir o seu bom funcionamento, manter os níveis de desempenho e potencialmente evitar certas falhas. Estas operações são levadas a cabo a cargo do utilizador por um técnico.







Consultar o manual online para mais detalhes sobre as instruções de segurança relativas ao refrigerante R32 e as tarefas de manutenção que têm de ser realizadas por um técnico qualificado.



- Antes de entrar em contacto com o distribuidor, efetue estas pequenas verificações simples se ocorrer algum problema. Se o problema não ficar resolvido, contacte o seu distribuidor.
-  : Ações a serem executadas apenas por um técnico qualificado.

Comportamento do aparelho

O aparelho não começa a aquecer de imediato	<ul style="list-style-type: none"> • Quando o caudal de água é inexistente ou insuficiente, o aparelho para: verificar se a água está a circular corretamente no aparelho e se as ligações hidráulicas estão corretas. • O aparelho para quando a temperatura exterior cai abaixo de -7 °C.
O aparelho está a descarregar água	<ul style="list-style-type: none"> • Para verificar se a água não vem de uma fuga no circuito da piscina no aparelho, desligue-o e faça funcionar a bomba de filtragem para fazer circular a água no aparelho. Se a água continuar a fluir através das linhas de drenagem de condensado, há uma fuga de água no aparelho: contacte o seu distribuidor.
O evaporador está coberto de gelo	<ul style="list-style-type: none"> • O aparelho mudará em breve para o ciclo de descongelação para derreter o gelo. • Se o aparelho não conseguir descongelar o evaporador, parará por si mesmo; isto significa que a temperatura exterior é demasiado baixa (abaixo de -7 °C).
O aparelho está a deitar fumo	<ul style="list-style-type: none"> • Se o aparelho não estiver no ciclo de descongelação, isto não é normal. Desligue imediatamente o aparelho e desligue-o da tomada e contacte o seu distribuidor.
O aparelho não está a funcionar	<ul style="list-style-type: none"> •  Se não houver ecrã, verificar a tensão de alimentação e o fusível F1. • Quando o caudal de água é inexistente ou insuficiente, o aparelho para: verificar se a água está a circular corretamente no aparelho.
O ventilador está a funcionar mas o compressor para de vez em quando sem mensagem de erro.	<ul style="list-style-type: none"> • Se a temperatura exterior for baixa, o aparelho realizará ciclos de descongelação. • O aparelho é incapaz de captar calor suficiente, uma vez que o evaporador está entupido com sujidade. Limpe-o para restaurar o desempenho.
O aparelho está a funcionar mas a temperatura da água não aumenta	<ul style="list-style-type: none"> • O modo de funcionamento não é suficientemente potente (aparelho no modo "SILENCE" ou "SMART"). Mude para o modo "BOOST" e defina a filtragem para 24/24 manual enquanto a temperatura aumenta. • Verifique se a válvula de enchimento automático não está presa na posição aberta; isto continuará a fornecer água fria para a piscina e impedirá que a temperatura suba. • Há demasiada perda de calor pois o ar é frio. Instale uma proteção com isolamento térmico na piscina. • O aparelho é incapaz de captar calor suficiente, uma vez que o evaporador está entupido com sujidade. Limpe-o para restaurar o desempenho. •  Verifique se o aparelho tem o tamanho certo para esta piscina e para o ambiente.
O aparelho faz disparar o disjuntor	<ul style="list-style-type: none"> •  Verifique se o disjuntor está corretamente dimensionado e se a secção do cabo utilizada é correta. •  A tensão de alimentação é demasiado baixa; contacte o seu fornecedor de eletricidade.



Consulte o manual online para mais detalhes sobre a visualização de códigos de erro, o comportamento dos LEDs na placa de circuito impresso e os diagramas de cablagem.



Desempenhos: ar a 28 °C / água a 28 °C / humidade a 80%

		MD4	MD5	MD6
Potência de saída (velocidade máxima-mín)	kW	11 - 3,1	14 - 4,4	16 - 4,7
Potência consumida (velocidade máxima-mín)	kW	1,9 - 0,3	2,6 - 0,5	3,2 - 0,5
COP média (velocidade máxima-mín)		5,8 - 10,3	5,4 - 8,8	5 - 9,4

Especificações técnicas

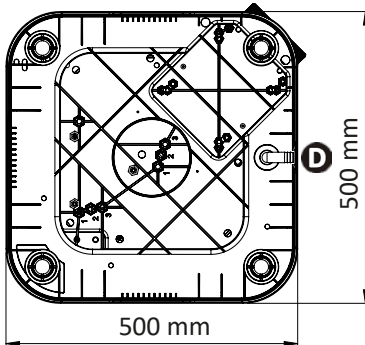
Temperatura de funcionamento	Ar	No modo "aquecimento": de -7 a 35 °C No modo "arrefecimento": de 10 a 35 °C
	Água	de 15 a 32 °C
Pressão de funcionamento	Refrigerante	de 2 a 42 bar (de 0,2 a 4,2 MPa)
	Água	de 0 a 2 bar (de 0 a 0,2 MPa)
Alimentação elétrica		220 - 240 V ~ / monofásica / 50 Hz
Varição admissível na tensão		± 6% (durante a operação)
Ligações hidráulicas		2 uniões em PVC Ø 40 2 reduções em PVC Ø 40/50 2 uniões em PVC 45° Ø 50
Tipo de fluido de arrefecimento		R32
Classificação de proteção		IP24
Bandas de frequência	GHz	2,400 - 2,497
Potência de emissão de radiofrequências	dBm	+19,5
Local de instalação		Interior/Exterior

Especificações técnicas

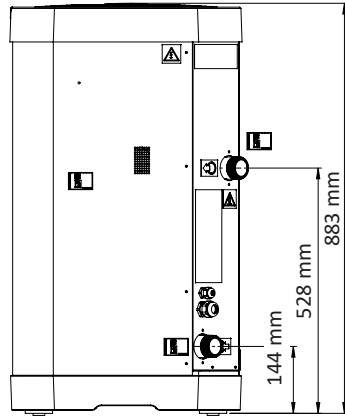
		MD4	MD5	MD6
Requisitos de corrente elétrica nominal	A	8	10,1	12,3
Requisitos de corrente elétrica máxima	A	9,0	12,3	15,9
Secção mínima de cabos*	mm ²	3x2,5	3x2,5	3x2,5
Potência de som (máx-mín)	db(A)	70 - 64	71 - 63	73 - 65
Pressão sonora a 10 m (máx-mín)	db(A)	39 - 33	40 - 32	42 - 34
Caudal de água recomendado	m ³ /h	3,4	4,2	5
Carga de fluido de arrefecimento	kg	0,7	0,85	0,95
	Tonelada de CO2 eq.	0,47	0,57	0,64
Peso aproximado	kg	41	46	47

* Os valores fornecidos para efeitos de informação para um comprimento máximo de 20 metros (base de cálculo: NFC15-100), devem ser verificados e adaptados às condições e normas de instalação do país de instalação.

Dimensões



Fundo



Traseira

A

Porta para acesso técnico

B

Entrada de água da piscina

C

Saída de água da piscina

D

Drenagem da condensação

9

Símbolos dos diagramas de cablagem



4.4 Diagramas de cablagem

Símbolo	Descrição	Símbolo	Descrição
A1	Quadro de regulação eletrónica	FS	Interruptor de caudal
A2	Quadro de visualização (HMI)	V1 - V2	Varistor
A4	Placa eletrónica do compressor	G/Y	Verde/Amarelo
CM	Compressor	BLK	Preto
EEV	Válvula de expansão eletrónica	BLU	Azul
F1 - F2	Fusível	BRN	Castanho
FAN	Motor do ventilador	ORG	Laranja
HP	Comutador de pressão elevada	PNK	Rosa
ST1	Sensor de temperatura da entrada de água	RED	Vermelho
ST2	Sensor de temperatura do ar ambiente	GRY	Cinzento
ST3	Sensor de temperatura da bobina	BLK	Preto
ST4	Sensor de temperatura da linha líquida	VLT	Roxo
ST5	Sensor de temperatura da descarga	WHT	Branco
4WV	Válvula de 4 vias	YEL	Amarelo



Consultar esta tabela para ler a etiqueta dos diagramas de cablagem na parte de trás da caixa elétrica. Os diagramas de cablagem também estão disponíveis no manual online.



WAARSCHUWINGEN



Deze handleiding bevat alleen basisinformatie over de veiligheidsmaatregelen die tijdens de installatie, het onderhoud en de inbedrijfstelling moeten worden genomen. De volledige handleiding kan worden gelezen en als een PDF-bestand worden gedownload van de website: www.zodiac.com. Alle montage-, elektrische installatie- en onderhoudswerkzaamheden moeten worden uitgevoerd door gekwalificeerd, geautoriseerd personeel dat deze handleiding aandachtig en volledig heeft gelezen. We behouden ons het recht voor om de eigenschappen van onze producten of de inhoud van dit document, gedeeltelijk of volledig, te wijzigen, zonder voorafgaande kennisgeving.



ALGEMENE WAARSCHUWINGEN

- Het apparaat is bedoeld om gebruikt te worden voor zwembaden en spa's voor een bepaald doeleinde; het mag niet worden gebruikt voor een ander doeleinde dan waar het voor ontworpen werd.
- De waarschuwingen negeren, kan de zwembadapparatuur ernstig beschadigen of ernstig letsel, zelfs de dood, veroorzaken.
- Dit apparaat is niet bedoeld voor gebruik door personen (waaronder kinderen) met verminderde fysieke, zintuiglijke of mentale capaciteiten, of een gebrek aan ervaring en kennis, tenzij zij toezicht of instructie hebben gekregen over het gebruik van het apparaat door een persoon die verantwoordelijk is voor hun veiligheid. Kinderen moeten onder toezicht staan om ervoor te zorgen dat ze niet met het apparaat spelen.
- Dit apparaat kan worden gebruikt door kinderen vanaf 8 jaar en personen met verminderde fysieke, zintuiglijke of mentale capaciteiten of een gebrek aan ervaring en kennis, indien zij toezicht of instructie hebben gekregen over het veilige gebruik van het apparaat en de risico's ervan begrijpen. Kinderen mogen niet met het apparaat spelen. Reiniging en onderhoud mag niet zonder toezicht door kinderen worden uitgevoerd.
- Het apparaat moet geïnstalleerd worden volgens de instructies van de fabrikant en overeenkomstig lokale en nationale regelgeving.
- Onze producten mogen alleen worden gemonteerd en geïnstalleerd in zwembaden die voldoen aan de normen IEC / HD 60364-7-702 en de vereiste nationale regels. De installatie moet voldoen aan de norm IEC/HD 60364-7-702 en de vereiste nationale regels voor zwembaden. Raadpleeg u lokale handelaar voor meer informatie.



WAARSCHUWINGEN BETREFFENDE ELEKTRISCHE APPARATEN

- De voeding van het apparaat moet worden beveiligd door een eigen 30 mA verliesstroomschakelaar (RCD), overeenkomstig de geldende normen en regelgeving in het land waar het geïnstalleerd wordt.
- De apparatuur zal geen elektrische onderbrekingschakelaar bevatten; plaats een voedingsonderbreking in de vaste bedrading van ten minste OVC III, overeenkomstig de geldende nationale wetgeving.
- Als het netsnoer beschadigd is, mag dit alleen door de fabrikant, een erkende vertegenwoordiger of werkplaats vervangen worden.



WAARSCHUWINGEN BETREFFENDE APPARATEN MET R32-KOELMIDDEL



- Dit apparaat bevat R32-koelmiddel, een klasse A2L-koelmiddel, wat als mogelijk brandbaar beschouwd wordt.
- Laat R32-vloeistof niet in de atmosfeer terechtkomen. Dit is een gefluoreerd broeikasgas, gereguleerd door het Kyoto-protocol, met een globaal opwarmingsvermogen (GWP) = 675 (Europese verordening EU 517/2014).
- Om te voldoen aan de geldende normen en regelgeving met betrekking tot het milieu en de installatie, in het bijzonder Besluit nr. 2015-1790 en/of Europese verordening EU 517/2014, moet een lektest uitgevoerd worden op het koelcircuit wanneer het apparaat voor de eerste keer gestart wordt en minstens een keer per jaar. Deze handeling moet worden uitgevoerd door een specialist, gecertificeerd voor het testen van koelapparaten
- Het apparaat moet opgeslagen worden in een kamer zonder voortdurend werkende ontstekingsbronnen (bijvoorbeeld: open vlammen, een werkend gasapparaat of een werkende elektrische kachel).
- Raadpleeg voor meer informatie de veiligheidsinstructies betreffende apparaten met R32 in de uitgebreide versie van de handleiding, waarin de velden omgevingscontrole, werkprocedure, algemene werkomgeving, controle op de aanwezigheid van koelmiddel, controle op de aanwezigheid van een brandblusser, geen ontstekingsbron, luchtventilatie, controle koelmiddeluitrusting, controle elektrische onderdelen, reparatie van geïsoleerde onderdelen, reparatie van intrinsieke onderdelen, bedrading, detectie van brandbaar koelmiddel, verwijdering en ontlading, laadprocedures en ontmantelen gespecificeerd worden.



INSTALLATIE EN ONDERHOUD

- Alleen een persoon die is gekwalificeerd in de betreffende vlakken (elektriciteit, hydraulica of koeling) is bevoegd om installatie-, onderhouds- of reparatiewerken uit te voeren aan het apparaat
- Het apparaat mag niet dicht bij brandbare materialen of het luchtinlaatkanaal van een aangrenzend gebouw geïnstalleerd worden.
- Tijdens het onderhouden van het apparaat, moet de samenstelling en toestand van de warmteoverdrachtsvloeistof gecontroleerd worden, samen met de afwezigheid van sporen van koelmiddel.
- Tijdens de jaarlijkse dichtingstest van het apparaat overeenkomstig de geldende wetgeving, moeten de hoge- en lagedrukschakelaars getest worden om te verzekeren dat ze goed aan het koelcircuit bevestigd zijn en dat ze de elektrische kring uitschakelen wanneer ze geactiveerd worden.
- Verzeker tijdens onderhoudswerken dat er geen sporen van corrosie of olie rond de koelonderdelen zijn.
- Stop het apparaat vóór aanvang van werken aan het koelcircuit en wacht enkele minuten vóór het plaatsen van de temperatuur- en druksensoren. Sommige onderdelen zoals de compressor en het leidingwerk, kunnen temperaturen tot boven 100°C en hoge drukken bereiken, met het risico op ernstige brandwonden als gevolg.



WAARSCHUWINGEN



SPECIFICATIES KOELMIDDEL

Controle van de omgeving

- Dit apparaat bevat R32-koelmiddel, een klasse A2L-koelmiddel, wat als mogelijk brandbaar beschouwd wordt.
- Laat R32-vloeistof niet in de atmosfeer terechtkomen. Dit is een gefluoreerd broeikasgas, gereguleerd door het Kyoto-protocol, met een globaal opwarmingsvermogen (GWP) = 675 (Europese verordening EU 517/2014).
- Om te voldoen aan de geldende normen en regelgeving met betrekking tot het milieu en de installatie, in het bijzonder Besluit nr. 2015-1790 en/of Europese verordening EU 517/2014, moet een lektest uitgevoerd worden op het koelcircuit wanneer het apparaat voor de eerste keer gestart wordt en minstens een keer per jaar. Deze handeling moet worden uitgevoerd door een specialist, gecertificeerd voor het testen van koelapparaten
- Het apparaat moet opgeslagen worden in een kamer zonder voortdurend werkende ontstekingsbronnen (bijvoorbeeld: open vlammen, een werkend gasapparaat of een werkende elektrische kachel).
- Raadpleeg voor meer informatie de veiligheidsinstructies betreffende apparaten met R32 in de uitgebreide versie van de handleiding, waarin de velden omgevingscontrole, werkprocedure, algemene werkomgeving, controle op de aanwezigheid van koelmiddel, controle op de aanwezigheid van een brandblusser, geen ontstekingsbron, luchtventilatie, controle koelmiddeluitrusting, controle elektrische onderdelen, reparatie van geïsoleerde onderdelen, reparatie van intrinsieke onderdelen, bedrading, detectie van brandbaar koelmiddel, verwijdering en ontleding, laadprocedures en ontmantelen gespecificeerd worden.

Werkprocedure

- Werken zullen uitgevoerd worden aan de hand van een gecontroleerde procedure, om het risico op de aanwezigheid van een brandbaar gas of een brandbare damp tijdens het uitvoeren van het werk te minimaliseren.

Algemene werkomgeving

- Al het onderhoudspersoneel en andere personen die aan het werk zijn in de omgeving, zullen op de hoogte worden gebracht van de aard van het werk dat uitgevoerd wordt. Werken in besloten ruimtes zal vermeden worden.

Controle op de aanwezigheid van koelmiddel

- De omgeving zal voor en tijdens de werken gecontroleerd worden met een geschikte detector voor koelmiddel, om te verzekeren dat de technicus zich bewust is van mogelijk giftige of brandbare atmosferen. Verzeker dat de lekdetectieapparatuur die gebruikt wordt geschikt is voor alle toepasselijke koelmiddelen, dit wil zeggen vonkvrij, afdoende afgedicht of intrinsiek veilig.

Controle op de aanwezigheid van een brandblusser

- Als er warm werk uitgevoerd moet worden op de koelapparatuur of daaraan verbonden onderdelen, zal de gepaste brandbestrijdingsuitrusting ter plaatse zijn. Zet een brandblusser met droog poeder of CO2 naast de laadomgeving.

Geen ontstekingsbron

- Er zal niemand die werk uitvoert aan een koelsysteem waarbij leidingwerk wordt blootgesteld, een ontstekingsbron gebruiken op een manier die kan leiden tot een risico op brand of een ontploffing. Alle mogelijke ontstekingsbronnen, met inbegrip van het roken van sigaretten, moeten voldoende ver uit de buurt wordt gehouden van de plaats van installatie, reparatie, verwijdering en ontmanteling, waarbij mogelijk koelmiddel kan vrijkomen in de omliggende omgeving. Vóór aanvang van de werkzaamheden, moet de omgeving rond de apparatuur gecontroleerd worden om te verzekeren dat er geen risico's op brand of ontsteking zijn. "Verboden te roken" borden zullen geplaatst worden.

Ventilatie van de omgeving

- Verzeker voordat de eenheid op om het even welke manier geïnstalleerd wordt, dat de omgeving open en voldoende geventileerd is. Goede ventilatie, voor het veilig kunnen afvoeren van koelmiddel dat mogelijk per ongeluk in de atmosfeer terecht is gekomen, moet behouden blijven tijdens het uitvoeren van onderhoudswerken aan de eenheid.



INFORMATIE OVER RECYCLING

- Neem voor meer informatie over recycling contact op met uw handelaar.

PRODUCTINFORMATIE VOOR PRODUCTEN MET CONNECTIVITEIT (Onder RED-richtlijn)

Conformiteitsverklaring

Hierbij verklaart Zodiac dat de radioapparatuur van het type Z350iQ conform Richtlijn 2014/53/EU is. De volledige tekst van de EU-conformiteitsverklaring kan worden bekeken op het volgende adres: <https://www.zodiac-poolcare.com/>.

1 Het apparaat installeren

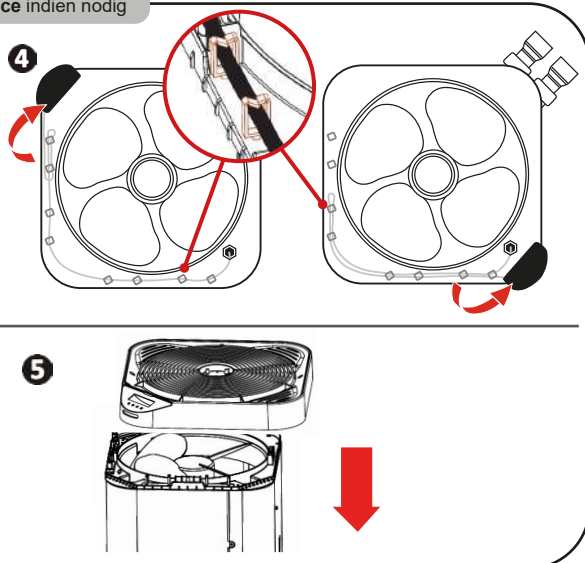
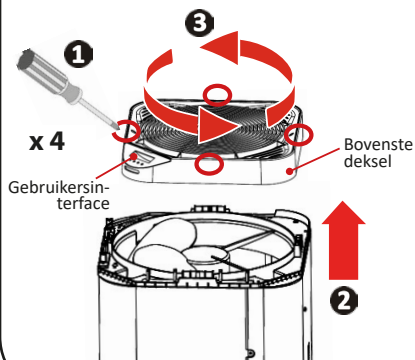


1 Installatie

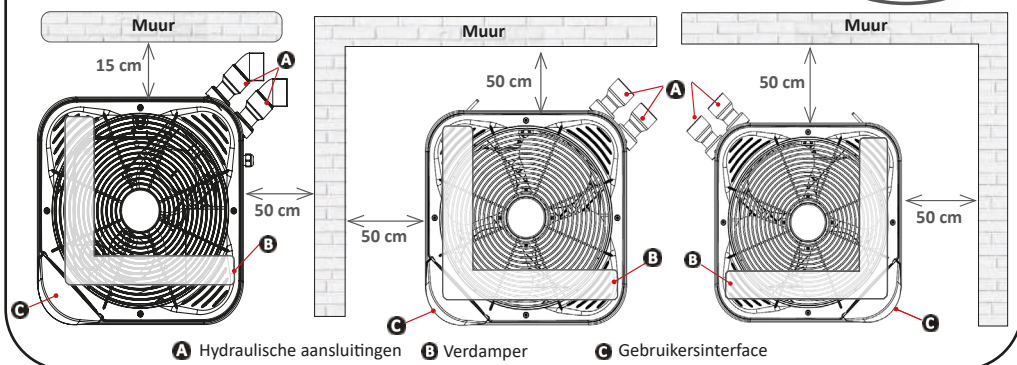
Draai de bovenkant en gebruikersinterface indien nodig



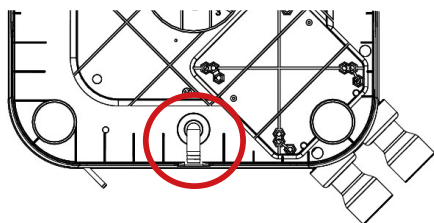
LET OP: Het schermbord (onder het scherm) is met een kabel aangesloten op het bedieningsbord in de eenheid. **Behandel het bovenste deksel voorzichtig om deze kabel niet te beschadigen.**



Kies de locatie en de hydraulische aansluitingen die het best passen bij de installatieconfiguratie



Evacueer het condensaat Bevestig een Ø18 leiding om aan de gegroefde elleboog onder de sokkel van het apparaat te monteren.



Raadpleeg de online handleiding voor meer informatie over voorzorgsmaatregelen bij de installatie en hydraulische aansluitingen.

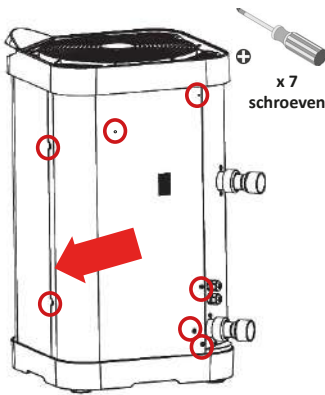


- Schakel de elektrische voeding uit vóór het werken binnenin het apparaat (risico op elektrische schok). Het uitschakelen van de voeding moet gebeuren op een manier waarop u altijd kunt controleren vanaf de punten waarop u in de apparatuur gaat of de voeding nog altijd uitgeschakeld is. Als dit niet mogelijk is, moet u een onderbreking met vergrendelingsysteem voorzien.
- Alleen een gekwalificeerde en ervaren elektricien is bevoegd om bekabelingswerk uit te voeren binnenin het apparaat of om het netsnoer te vervangen.
- Verzekert dat de klemmenblokken volledig vast staan (risico op brand). Onjuist vastgezette klemmenblokken zullen de garantie doen vervallen.
- Schakel de elektrische voeding niet uit wanneer het apparaat in werking is. Als de elektrische voeding onderbroken wordt, wacht dan een minuut om deze opnieuw in te schakelen.

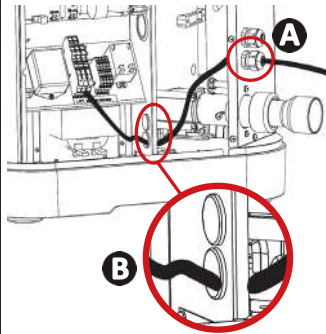


De eenheid aansluiten op de voeding en opties

1 Open en verwijder.

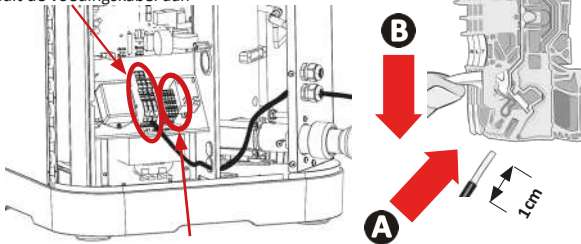


2 Voer de voedingskabel door.



3 Sluit de voedingskabel aan. Aansluitopties: voer de kabels niet door dezelfde kabelwarter als deze van de voedingskabel.

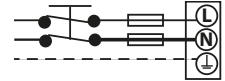
Klemmenblokken met veerdrukklemmen: sluit de voedingskabel aan



Klemmenblok met schroeven: sluit de opties aan

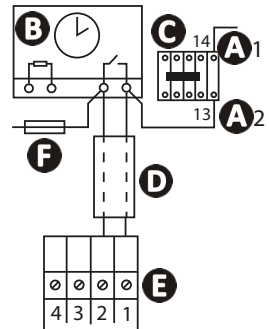
Voedingsaansluiting

VOEDING AC
220-240 V
1 FASE 50 Hz



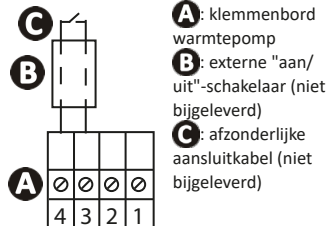
smeltzekering

Aansluiting verwarmingsprioriteit



- A1 - A2:** voeding voor spoel voedingscontactor filtratiepomp
- B:** filtratietimer
- C:** voedingscontactor (tripolair of bipolair) voor motor filtratiesysteem
- D:** afzonderlijke kabel voor de functie "verwarmingsprioriteit" (niet bijgeleverd)
- E:** klemmenbord warmtepomp
- F:** zekering

Externe "AAN/UIT"-aansluiting

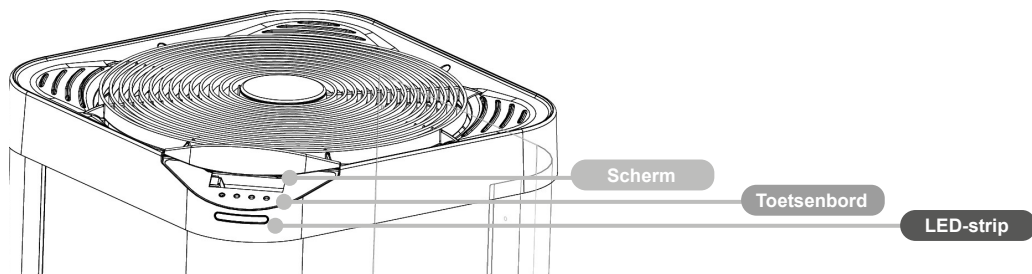


- A:** klemmenbord warmtepomp
- B:** externe "aan/uit"-schakelaar (niet bijgeleverd)
- C:** afzonderlijke aansluitkabel (niet bijgeleverd)

Bekabeling en beveiliging

Model	Elektrische voeding	Max. stroom	Kabeldiameter*	Thermische magnetische beveiliging
MD4	220 - 240 V 1 fase 50 Hz	9,1	<ul style="list-style-type: none"> • H07RN-F type • Afstand: tussen 13 en 18 mm • Min. kabeldoorsnede: - voor voedingskabel: 3x2,5 mm² - voor optiekabel: 2x0,75 mm² 	C of D curve 30 mA
MD5		10,8		
MD6		13,5		

*Kabeldoorsnede geschikt voor een maximale lengte van 20 meter.



Scherm



3 modi:

- BOOST
- SMART
- SILENCE

Gemeten
watertemperatuur

LED-strip (standaard verlicht)

Om deze uit te schakelen, zie p. 4

Groen - "Verwarmen"

- De warmtepomp verwarmt het water op
- Instelpunt voor temperatuur bereikt

Blauw - "Koelen"

- De warmtepomp koelt het water

Rood - "Fout"

- Zie online handleiding

Toetsbord



- Moduswijziging
- Menu openen (drukken en ingedrukt houden)
- Validering (bevestigen)



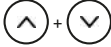
- Bladeren
- Waarden instellen



- AAN / UIT (drukken en ingedrukt houden)
- Return / back

Indicatielampjes

	Vast	Knipperend	Uit
	Toetsenblok vergrendeld	-	Toetsenbord ontgrendeld
	Waterdebiet oké	Waterdebiet te laag of geen debiet	-
	Geef de geselecteerde modus aan	-	-
	-	Luchttemperatuur buiten het bedrijfsbereik	Luchttemperatuur binnen het bedrijfsbereik
°C °F	Geselecteerde eenheid voor temperatuur	-	-
	Wi-Fi verbonden	Wi-Fi koppelen bezig	Wi-Fi niet verbonden

**Het toetsenblok vergrendelen/ontgrendelen**

3 seconden

**Automatische vergrendeling instellen** (standaard ingeschakeld)

Drukken en ingedrukt houden



Tot "P19"



Bevestigen

AAN (ingeschakeld)
of UIT (uitgeschakeld)

Bevestigen

**Het instelpunt voor de temperatuur aanpassen**

Druk vanuit het hoofdscherm om de waarde aan te passen



Temperatuur verhogen of verlagen



Bevestigen (automatisch indien langer dan 30 seconden inactiviteit)

Aanbevolen temperatuur:
28°C
Max temperatuur: 32°**De koelmodus activeren/deactiveren** (standaard uitgeschakeld)

De activering van de koelmodus wordt gevalideerd door 3 opeenvolgende keren blauw knipperen.



Blijf drukken tot het scherm "KOELEN" weergeeft



Bevestigen



AAN (ingeschakeld) of UIT (uitgeschakeld)




Bevestigen

**De verwarmingsmodi selecteren**

De warmtepomp heeft 3 actieve bedrijfsmodi voor het aanpassen van zijn bedrijfsnelheid aan het vermogen dat vereist is en de modus die geselecteerd is:

- "BOOST"-modus
- "SMART"-modus
- "SILENCE"-modus

Druk vanuit het hoofdscherm: het  indicatielampje stopt voor een van de 3 modi**De LED-strip uitschakelen** (standaard verlicht)

Ingedrukt houden vanuit het hoofdscherm: het scherm geeft "KOELEN" weer



het scherm geeft "LED" weer



Bevestigen

AAN (ingeschakeld)
of UIT (uitgeschakeld)

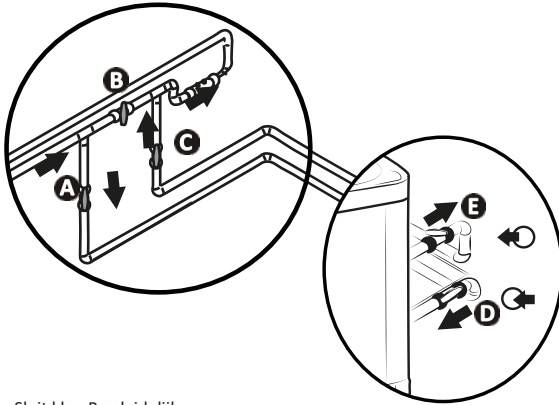
Bevestigen




Raadpleeg de online handleiding voor meer informatie over de bedrijfsmodi en het gedrag van de LED-strip.



Het hydraulisch circuit openen

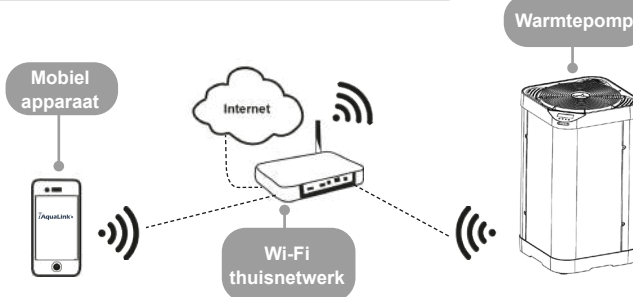


LET OP: Een onjuiste instelling van de bypass kan ervoor zorgen dat de warmtepomp niet goed werkt.

- Sluit klep B geleidelijk.
- Open kleppen A, C en D volledig. Open klep E voor de helft (de lucht die zich heeft verzameld in de condensor en het filtratiecircuit zal afgelaten worden). Als kleppen D en E niet geplaatst zijn, open klep A dan volledig en sluit klep C half.
- Sluit de voeding aan op de warmtepomp.
- Als de warmtepomp in stand-by staat, druk dan 3 seconden op ; het spatscherm zal 4 seconden weergegeven worden, daarna wordt het hoofdscherm weergegeven. Een timer van 2 minuten zal starten.
- Stel de gewenste temperatuur in.



Verbinding maken met de iAqualink+ app



De warmtepomp kan vanop afstand geregeld worden met een smartphone of tablet, via de iAqualink+™ app voor iOS en Android-systemen. Zorg er voordat u verbinding maakt met de iAqualink+™ app, voor dat u:

- Een smartphone of tablet gebruikt met Wi-Fi ingeschakeld.
- Een Wi-Fi-netwerk gebruikt met een redelijk sterk signaal wanneer u verbinding maakt met de warmtepomp: het Wi-Fi-signaal moet detecteerbaar zijn op de plaats waar het apparaat gebruikt wordt. Als dit niet het geval is, moet er een technische oplossing geleverd worden om het bestaande signaal te versterken.
- Sluit het apparaat en houd het wachtwoord voor uw Wi-Fi-netwerk bij de hand.

Download de iAqualink+™ app



Ingedrukt houden

Het scherm geeft «bLE» weer

Klik op  op het mobiel apparaat om het apparaat toe te voegen

Geef het apparaat een naam



Winterklaar maken

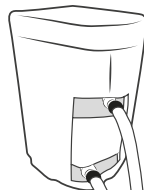


Houd ingedrukt om het apparaat uit te schakelen

Koppel de voeding los

Sluit kleppen A en C en sluit kleppen D en E (als deze geplaatst zijn)

Laat het water uit de condensor lopen om het risico op bevroren te vermijden



Plaats de ademende micro-afdekking

- Als het zwembad volledig winterklaar gemaakt wordt (volledig uitschakelen van het filtratiesysteem, het filtratiesysteem ontluchten of zelfs het zwembad leegmaken): draai de twee aansluitingen één omwenteling om te voorkomen dat vreemde voorwerpen in de condensor komen.
- Als alleen de warmtepomp winterklaar gemaakt wordt (alleen uitschakelen van de verwarming, de filtratie blijft in bedrijf): zet de aansluitingen niet dicht maar plaats 2 doppen (meegeleverd) op de waterinlaat en wateruitlaat van de condensor.
- Plaats de ademende micro-afdekking (meegeleverd) op de warmtepomp, over de hydraulische aansluitingen en tot de opening die hiervoor is voorzien. Het is niet nodig om de hydraulische en elektrische aansluitingen los te koppelen.



- **Winterklaar maken is cruciaal om te voorkomen dat de condensor breekt vanwege bevroren (bevroren zonder winterklaar maken wordt niet gedekt door de garantie).**
- **Om beschadiging van het apparaat met condensatie te vermijden, mag u het niet volledig afdekken; gebruik de meegeleverde afdekking voor het winterklaar maken.**



Onderhoud

- Verzekert dat het ventilatiooster niet wordt geblokkeerd door vreemde voorwerpen.
- Reinigt de verdampert met een zachte borstel en schoon water (koppel de voedingskabel los).
- Reinigt de condensaatvoerleiding om onzuiverheden te verwijderen die deze mogelijk blokkeren.
- Verzekert dat het ventilatiooster van de schakeldoos schoon is.
- Gebruikt geen hogedrukreiniger. Niet besproeien met regenwater, zout water of water met veel mineralen.
- Reinigt de buitenkant van het apparaat; gebruikt geen producten op basis van oplosmiddel. U kunt een specifieke schoonmaakset gebruiken als een accessoire: het PAC NET.




- **Schakelt de elektrische voeding niet uit wanneer het apparaat in werking is. Als de elektrische voeding onderbroken wordt, wacht dan een minuut om de voeding van het apparaat opnieuw in te schakelen.**
- **Vóór het uitvoeren van onderhoud, oplossen van problemen of reparaties, wordt aanbevolen om de Wi-Fi-verbinding van de modem te deactiveren, om het risico dat het apparaat vanop afstand bediend wordt te vermijden.**
- **Het wordt aanbevolen om het apparaat minstens een keer per jaar een volledig onderhoud te geven, om de goede werking te verzekeren, de prestaties te behouden en mogelijke bepaalde storingen te voorkomen. Deze handelingen worden door een technicus uitgevoerd, op kosten van de gebruiker.**



Raadpleeg de online handleiding voor meer informatie over veiligheidsinstructies betreffende R32-koelmiddel en onderhoudstaken die door een gekwalificeerde technicus uitgevoerd moeten worden.



- Voer bij problemen deze eenvoudige controles uit, voordat u contact opneemt met de verkoper. Neem contact op met uw verkoper als het probleem niet opgelost is.
-  : Acties die alleen door een gekwalificeerde technicus uitgevoerd mogen worden.

Gedrag van het apparaat

Het apparaat begint niet onmiddellijk te verwarmen	<ul style="list-style-type: none"> • Als er geen of onvoldoende waterdebiet is, stopt het apparaat: controleer of het water juist door het apparaat circuleert en dat de hydraulische aansluitingen juist zijn. • Het apparaat stopt als de buitentemperatuur daalt tot onder -7°C.
Er komt water uit het apparaat	<ul style="list-style-type: none"> • Om te controleren of het water niet afkomstig is van een lek in het zwembadcircuit, schakelt u het uit en zet u de filterpomp in werking om water in het apparaat te laten circuleren. Als het water door de condensaatvoerleidingen blijft stromen, is er een waterlek in het apparaat: neem contact op met uw verkoper.
De verdamper is bedekt met ijs	<ul style="list-style-type: none"> • Het apparaat zal spoedig overschakelen naar de ontdooicyclus om het ijs te smelten. • Als het apparaat de verdamper niet kan ontdooien, zal het zichzelf stoppen; dit betekent dat de buitentemperatuur te laag is (onder -7°C).
Het apparaat "rookt"	<ul style="list-style-type: none"> • Als het apparaat niet in de ontdooicyclus staat, is dit niet normaal. Schakel het apparaat onmiddellijk uit, koppel de voeding los en neem contact op met uw verkoper.
Het apparaat werkt niet	<ul style="list-style-type: none"> •  Als het scherm leeg is, controleer dan de voedingsspanning en de F1-zekering. • Als er geen of onvoldoende waterdebiet is, stopt het apparaat: controleer of het water juist door het apparaat circuleert.
De ventilator werkt maar de compressor stopt nu en dan, zonder foutmelding	<ul style="list-style-type: none"> • Als de buitentemperatuur laag is, zal het apparaat ontdooicycli uitvoeren. • Het apparaat kan niet voldoende caloriefen vasthouden, omdat de verdamper vuil is. Reinig deze om deze opnieuw naar behoren te laten werken.
Het apparaat werkt maar de watertemperatuur neemt niet toe	<ul style="list-style-type: none"> • De bedrijfsmodus is niet krachtig genoeg (apparaat in de modus "SILENCE" of "SMART"). Schakel over naar de modus "BOOST" en zet de filtratie handmatig op 24/24 terwijl de temperatuur stijgt. • Controleer of de automatische vulklep niet in de open stand geblokkeerd staat; dit zorgt ervoor dat er koud water in het zwembad blijft stromen en voorkomt dat de temperatuur stijgt. • Er is te veel warmteverlies omdat de lucht koel is. Plaats een warmte-isolerende afdekking op het zwembad. • Het apparaat kan niet voldoende caloriefen vasthouden, omdat de verdamper vuil is. Reinig deze om deze opnieuw naar behoren te laten werken. •  Controleer dat het apparaat de juiste grootte heeft voor dit zwembad en de omgeving.
Het apparaat schakelt de stroomonderbreker in	<ul style="list-style-type: none"> •  Controleer dat de stroomonderbreker juist gedimensioneerd is en dat de gebruikte kabeldoorsnede juist is. •  De voedingsspanning is te laag; neem contact op met uw elektriciteitsleverancier.



Raadpleeg de online handleiding voor meer informatie over foutcodes op het scherm, het gedrag van de LED's op de printplaat en de bedradingsschema's.



Prestaties: lucht 28°C / water 28°C / vochtigheid 80 %

		MD4	MD5	MD6
Vermogensuitgang (max-min snelheid)	kW	11 - 3,1	14 - 4,4	16 - 4,7
Verbruikt vermogen (max-min snelheid)	kW	1,9 - 0,3	2,6 - 0,5	3,2 - 0,5
Gemiddelde COP (max-min snelheid)		5,8 - 10,3	5,4 - 8,8	5 - 9,4

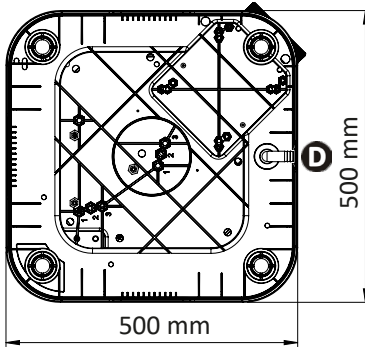
Technische specificaties

Bedrijfstemperatuur	Lucht	In de modus "verwarmen": van -7 tot 35 °C In de modus "koelen": van 10 tot 35 °C
	Water	Van 15 tot 32 °C
Bedrijfsdruk	Koelmiddel	van 2 tot 42 bar (van 0,2 tot 4,2 MPa)
	Water	van 0 tot 2 bar (van 0 tot 0,2 MPa)
Voeding		220 - 240 V ~ / 1 fase / 50 Hz
Toelaatbare schommeling van spanning		± 6 % (tijdens bedrijf)
Hydraulische aansluitingen		2 PVC wartels Ø 40 2 PVC verloopstukken Ø 40/50 2 PVC wartels 45° Ø 50
Type van koelvloeistof		R32
Beschermingsklasse		IP24
Frequentiebanden	GHz	2,400 - 2,497
Emissievermogen radiofrequentie	dBm	+19,5
Installatielocatie		Binnen/buiten

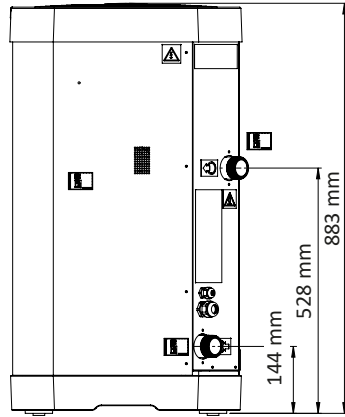
Technische specificaties

		MD4	MD5	MD6
Nominale elektrische stroomvereiste	A	8	10,1	12,3
Max elektrische stroomvereiste	A	9,0	12,3	15,9
Minimum kabeldoorsnede*	mm ²	3x2,5	3x2,5	3x2,5
Geluidsvermogen (max-min)	db(A)	70 - 64	71 - 63	73 - 65
Geluidsdruk op 10m (max-min)	db(A)	39 - 33	40 - 32	42 - 34
Aanbevolen waterdebiet	m ³ /h	3,4	4,2	5
Lading koelvloeistof	kg	0,7	0,85	0,95
	Ton CO2 eq.	0,47	0,57	0,64
Gewicht bij benadering	kg	41	46	47

* Waarden gegeven ter informatie voor een maximale lengte van 20 meter (basis voor berekening: NFC15-100), ze moeten worden gecontroleerd en aangepast aan de installatieomstandigheden en de normen van het land van installatie.



Onderkant



Achteraan

A	Technische toegangsdeur
B	Waterinlaat zwembad
C	Wateruitlaat zwembad
D	Condensaatafvoer

9 Symbolen bedradingsschema



4.4
Bedradingsschema's

Symbol	Beschrijving	Symbol	Beschrijving
A1	Elektronisch regelbord	FS	Debietschakelaar
A2	Schermbord (HMI)	V1 - V2	Varistor
A4	Elektronisch bord compressor	G/Y	Groen/Geel
CM	Compressor	BLK	Zwart
EEV	Elektronische expansieklep	BLU	Blauw
F1 - F2	Zekering	BRN	Bruin
VENTILATOR	Ventilatormotor	ORG	Oranje
HP	Hoge drukschakelaar	PNK	Roze
ST1	Temperatuursensor waterinlaat	RED	Rood
ST2	Temperatuursensor omgevingslucht	GRY	Grijs
ST3	Temperatuursensor spoel	BLK	Zwart
ST4	Temperatuursensor vloeistofleiding	VLT	Violet
ST5	Temperatuursensor uitlaat	WHT	Wit
4WV	4-wegklep	YEL	Geel



Raadpleeg deze tabel voor het lezen van het label met het bedradingsschema op de achterkant van de elektrische kast. De bedradingsschema's staan ook in de online handleiding.



www.zodiac.com

ZPCE
ZA de la Balme - BP 42
31450 BELBERAUD
FRANCE
www.zodiac.com

*ZODIAC® is a registered trademark of Zodiac International, S.A.S.U., used under license.
All other trademarks referenced are the property of their respective owners.*